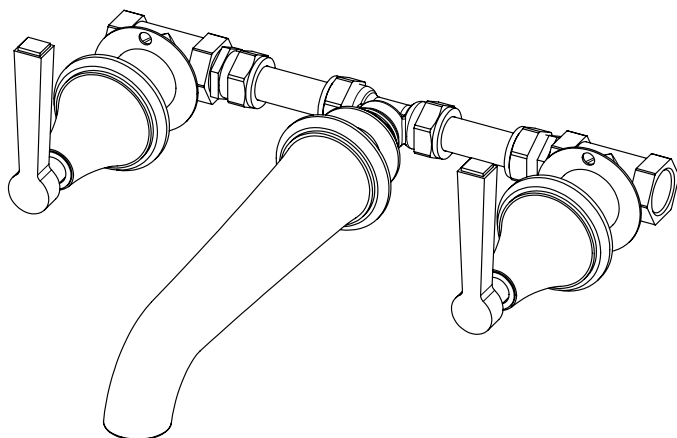


PORTER

HEPWORTH BASIN 3 HOLE WALL LEVER

Our Hepworth suite of brassware is distinguished by its approachable classicism. The clarity of design reveals itself through pure utility. Restrained and beautiful.



BB606

	MM	"
Width	268.5	10.6
Height	104	4.1
Depth	195.4	7.7

DETAILS

Cast from solid brass

FINISHES

We offer custom finishes across all material types for a further fee dependent upon the custom finish required.

METAL

Polished chrome

Silver nickel

Polished brass

Antique brass

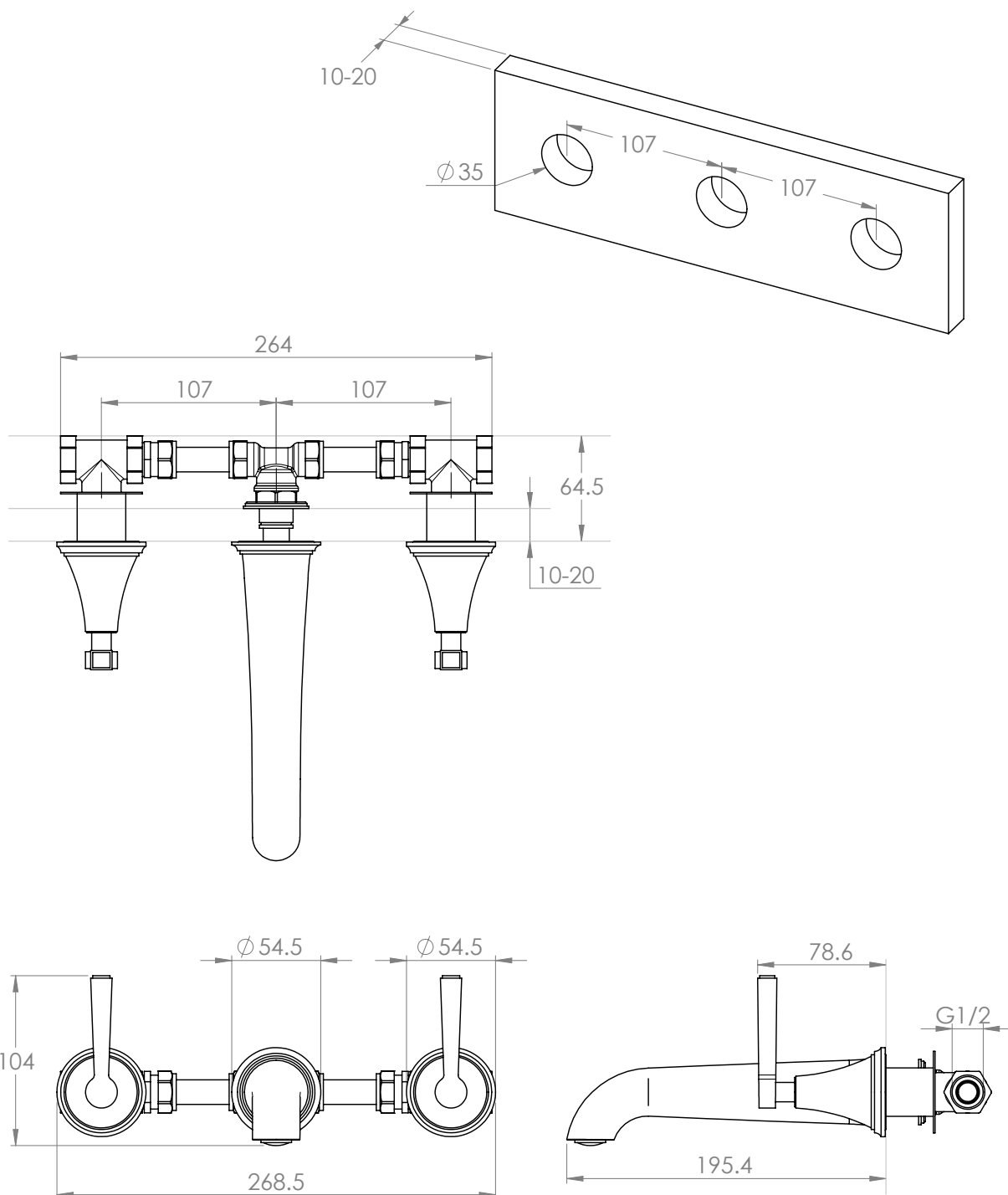


PORTER

HEPWORTH BASIN 3 HOLE WALL LEVER

BB606

PLAN AND DIMENSIONS

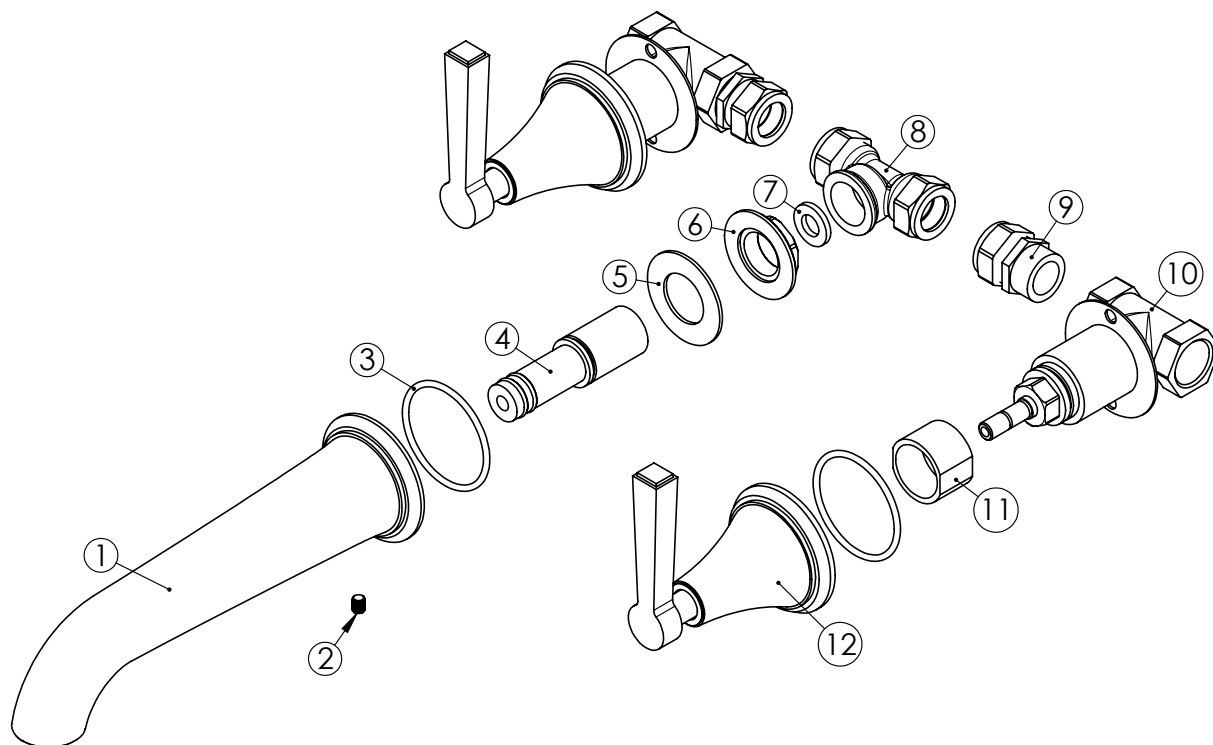


PORTER

HEPWORTH BASIN 3 HOLE WALL LEVER

BB606

PACKAGE COMPONENTS



ITEM	PART	QNTY
1	SPOUT INCLUDING AERATOR	1
2	GRUB SCREW	1
3	O-RING	3
4	TAIL	1
5	RUBBER WASHER	1
6	NUT	1
7	RUBBER WASHER	1
8	T-COMPRESSION COUPLER	1
9	COMPRESSION MALE STRAIGHT COUPLER	2
10	T-VALVE	2
11	THREADED EXTENDER	2
12	LEVER WITH VALVE COVER	2

PORTER

HEPWORTH BASIN 3 HOLE WALL LEVER

BB606

DELIVERY

For delivery of your porter products, access for a small truck may be required. If this is not possible, please inform your porter representative prior to delivery. Once your product has been delivered to your door by our chosen transport partner, it must be carried into your home and fitted by your chosen builder, plumber, contractor etc. It is not the delivery driver's responsibility to carry the product inside the home, but at his/her discrepancy they may assist if the unit is being placed in a garage or similar for storage etc.

When your product is being delivered, please take the time to check over all items by removing the outer packaging or by opening the delivery box by lifting the lid off followed by the sides and finally the rest of the packaging. Any signs of damage during transport should be reported immediately.

HANDLING

For safe handling and manoeuvring of all large products, marble/stone tops, we recommend that 2 people are used to move and lift at all times. Carry and store the marble/stone top and backsplash on its edge at all times. Full pre-plumbing dimensions and instructions are available to download from our website for your chosen unit at: www.porterbathroom.com

- i. When manoeuvring porter's vanities or baths, the marble/stone top will not be permanently fixed to the unit or bath at this point and should be lifted carefully off by 2 persons and placed carefully aside from the unit.
- ii. The main base can then be carried into the bathroom and fitted into position.
- iii. Before installing the marble onto the base, please ensure all pipework is in its correct position, drilling any necessary holes in the rear of the unit wall.
- iv. Fix the unit to the wall on both sides through the guide holes provided.
- v. When fitting the top, place it on its edge at the rear of the unit before lowering the front into position. If needed, to remove the top, lift the front of the marble/stone top up first until vertical and carry the top away, always keeping the top vertical.
- vi. When fitting the marble top on permanently, we recommend using a clear natural silicone to bond it to the base, using the same natural silicone to bond the backsplash to the wall.

P O R T E R

HEPWORTH BASIN 3 HOLE WALL LEVER

BB606

PRODUCT CARE

Metal

Chrome and nickel finish, it is important that you clean the metal only with a solution of soapy water and a soft dry cloth, and it is advisable not to use any form of chemical abrasive that is likely to damage the surface.

Brass only is a raw finish and can be left to mature ageing gracefully or if you wish for it to remain to a bright lustre you will be able to use a relevant brass polish of your choice, please refer to the polish manufacturers recommendations.