

CAVENDISH BLOCK DOUBLE



THE CAVENDISH VANITY CELEBRATES THE SOLID BEAUTY OF PRIME OAK HARDWOOD. THIS IS THE PORTER EXECUTION OF A CLASSIC WASHSTAND. VISIBLE CRAFTSMANSHIP CONTRASTS WITH THE MODERNITY OF A TIP-MATIC DRAWER FOR DISCREET STORAGE.

AVAILABLE FINISHES

WOOD LIGHT	WL
WOOD MID	WM
WOOD DARK	WD

AVAILABLE IN ALL PORTER STONE OPTIONS

DIMENSIONS

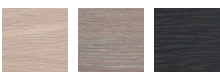
WIDTH [MM/IN]	1360/53.5
DEPTH [MM/IN]	520/20.5
HEIGHT [MM/IN]	910/35.8

WASTE OUT HEIGHT [MM/IN]	515/20.3
WATER IN HEIGHT [MM/IN]	1010/39.8

DETAILS

TWO CENTRAL TOUCH OPEN DRAWERS WITH LARGE OPEN SHELF BELOW. ALL WITH SOFT CLOSING MECHANISMS. MADE FROM SOLID OAK.

SWATCHES

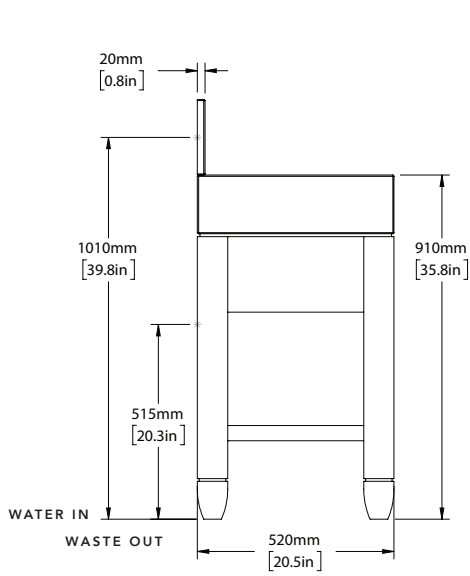


WOOD LIGHT WOOD MID WOOD DARK

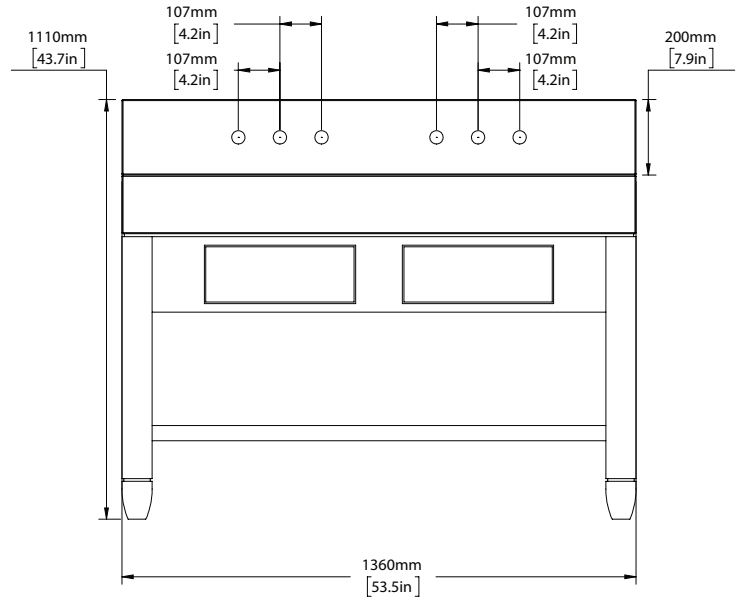
IMAGE REFERENCE

WOOD LIGHT
CARRARA MARBLE HONED
SILVER NICKEL BRASSWARE

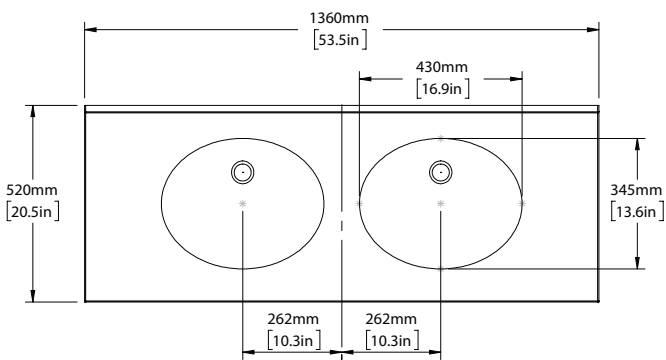
CAVENDISH BLOCK DOUBLE



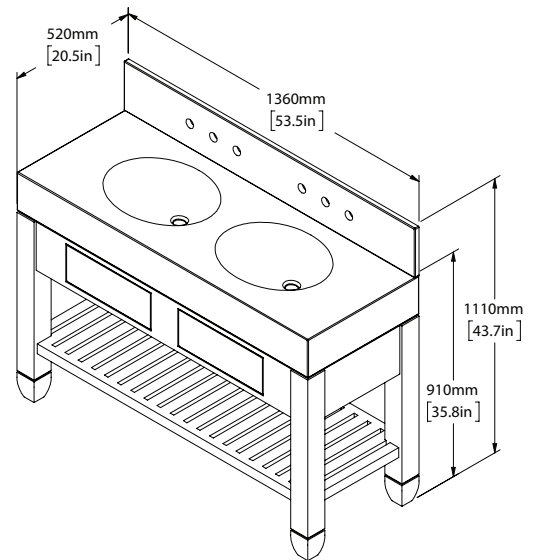
SCALE 1:20



SCALE 1:20



SCALE 1:20



SCALE 1:25