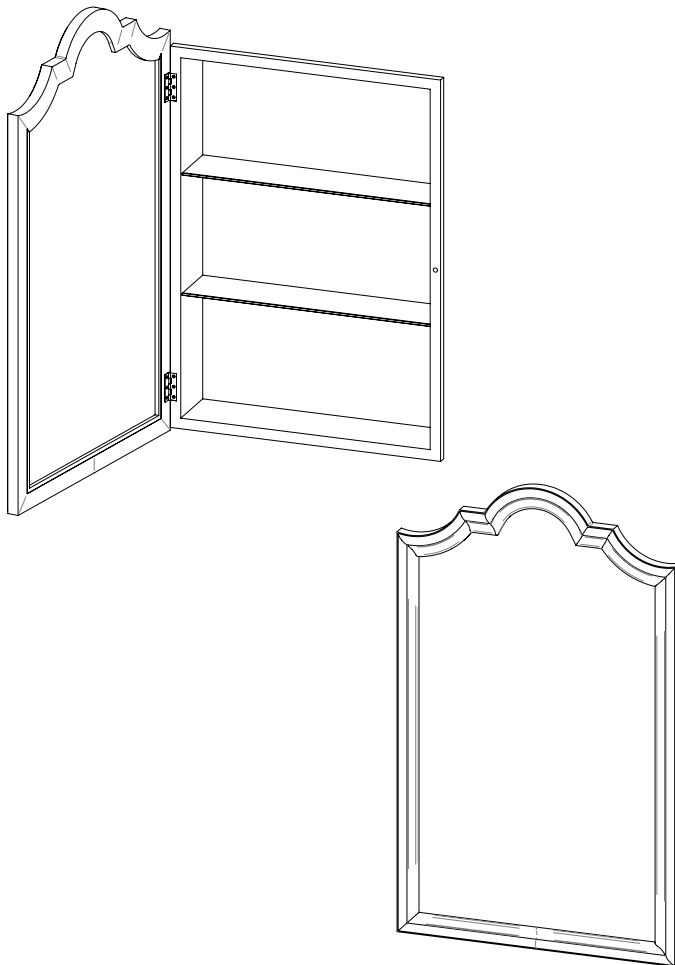


PORTER

DIJON LARGE CABINET

Distinguished by the flourish of its curved top detail, the Dijon cabinet features a painted solid poplar wooden frame. Whether in small or large proportion, both are available in mirrored cabinets.



CP404

	MM	"
Width	670	26.4
Height	1100	43.3
Depth	185	7.3
Protrusion	55	2.2

DETAILS

Made from birch and poplar wood.

FINISHES

We offer custom finishes across all material types for a further fee dependent upon the custom finish required.

PAINT

Peak



Moher (Base)



Combe



Howth



Causeway



Coole

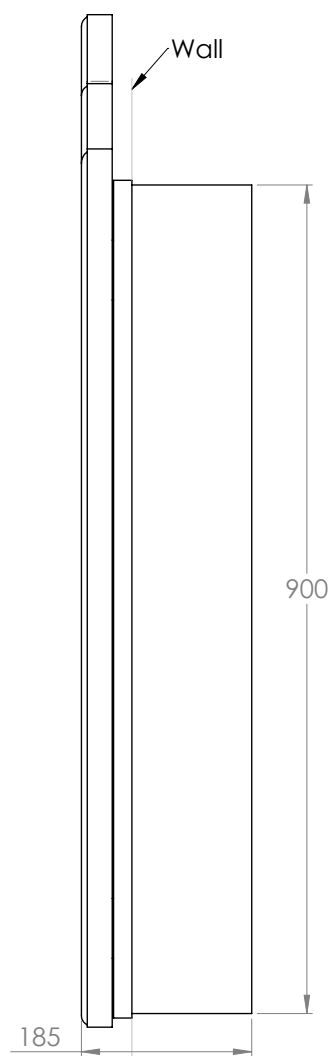
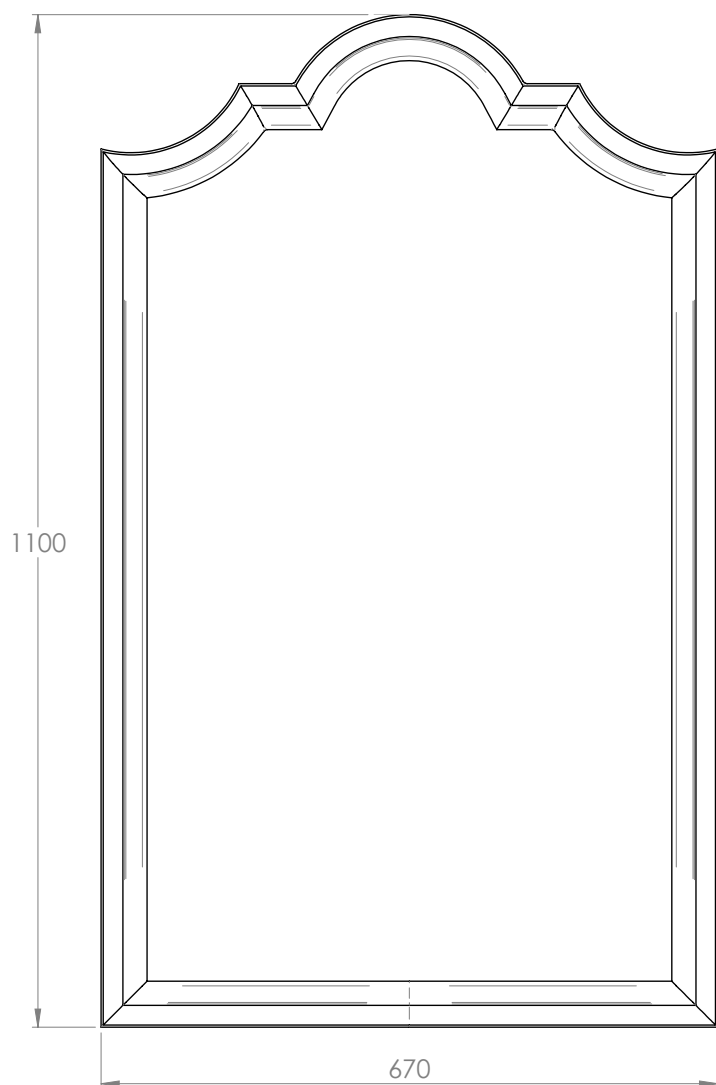
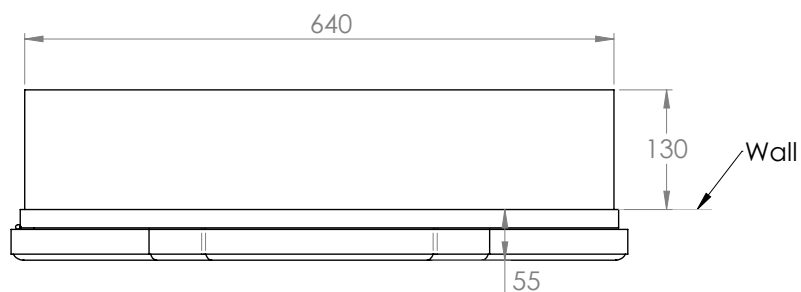


PORTER

DIJON LARGE CABINET

CP404

PLAN AND DIMENSIONS

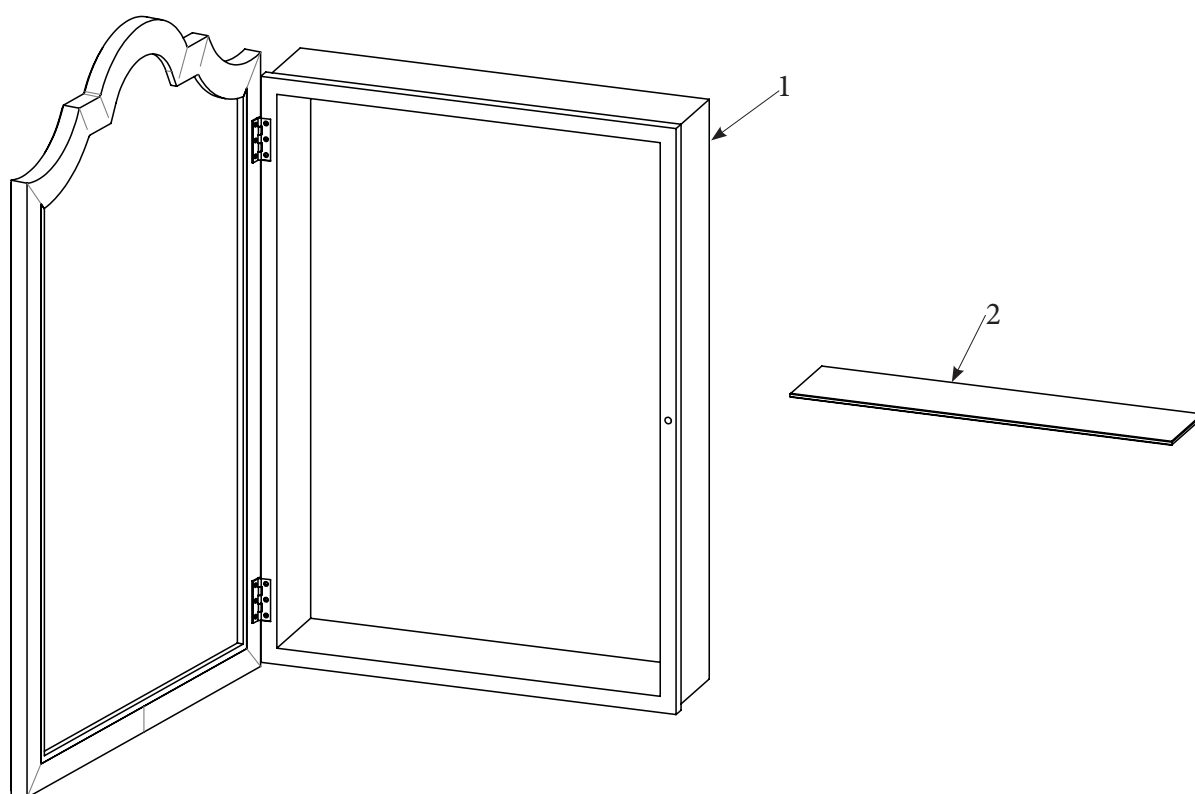


PORTER

DIJON LARGE CABINET

CP404

PACKAGE COMPONENTS



ITEM	PART	QNTY
1	MIRROR CABINET	1
2	GLASS SHELFs	2

PORTER

DIJON LARGE CABINET

CP404

WALL RECESS OPENING

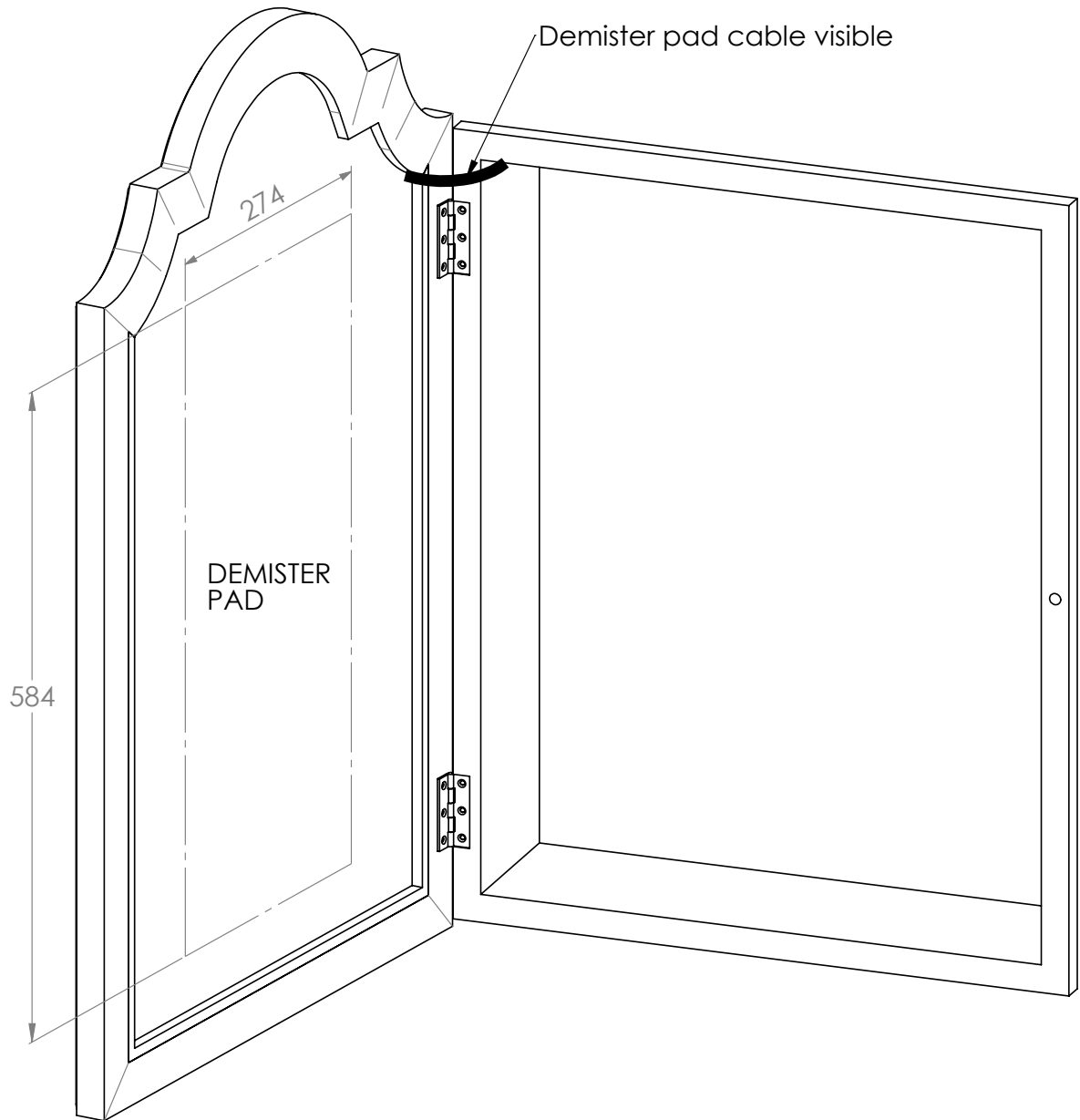


PORTER

DIJON LARGE CABINET

CP404

OPTIONAL EXTRA 1 : DEMISTER PAD



OPTIONAL EXTRA 1 : DEMISTER PAD

demista

GENERAL SPECIFICATION

Approved to: EN60335-1:2002+A1,A2,A11,A12,A13,A14,A15 and EN60335-2-30:2009+A11

Power Rating: 200W/m²

Standard Voltage: 12V AC

Insulation Class: 2-double insulated

Thickness: 1 mm

IP Rating: 44

Cable connector: 30 x 40 x 5mm

Cable: 1m twin core 1.0mm² oval

Adhesive: acrylic

Material: Double insulated multi-layer polyester/polyethylene

Mirror temperature: Approximately 10 -15°C above ambient room temp.

Heating time: 3-5 minutes to start heating the mirror (depending on ambient room temperature)

Heat spread: Approximately 30% area around the pad

<i>demista</i> TM Model Number	Nominal Power (Watts)	Dimen- sions(mm)	Resistance range (Ohms)	Current(Amps)
7520	25	584 x 274	5.5 – 6.4	2.0

Note: transformer for the above demista is required (not supplied) with the cabinet and should be supplied and installed by a fully qualified electrician.

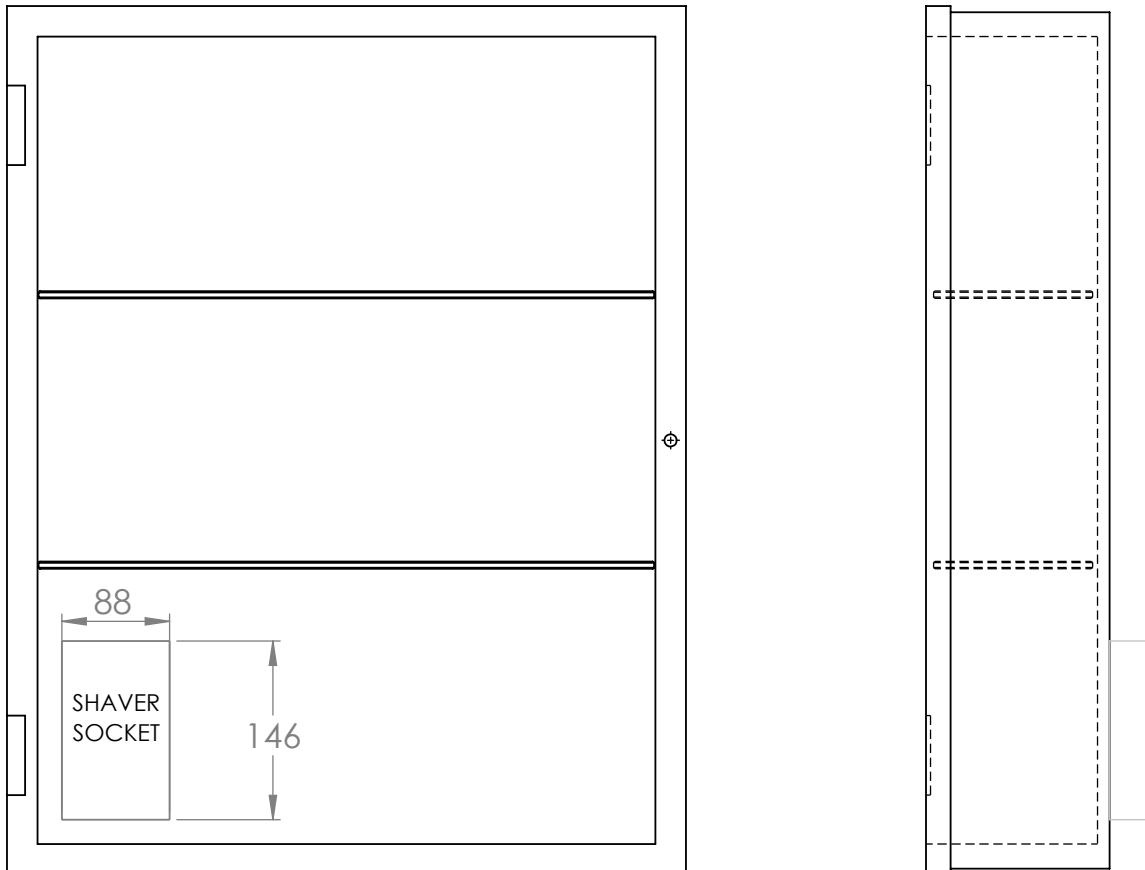
10 year warranty against any manufacturing fault, providing *demista*TM is fitted strictly in accordance with instructions supplied.

PORTER

DIJON LARGE CABINET

CP404

OPTIONAL EXTRA 2 : SHAVER SOCKET



- Shaver socket protruding of 40mm at the back of the cabinet, please adapt the wall recess accordingly.

- Shaver socket located on the hinges side bottom corner otherwise specified by the customer.

OPTIONAL EXTRA 2 : SHAVER SOCKET

SPECIFICATION SHEET

Product Code VP*100#

Description 115V – 230V Dual Voltage Shaver Socket Outlet



General Information	
Dimensions	146mm x 88mm x 8mm (Excluding Gasket)
Finishes Available	Replace * with: AB (Antique Brass), BN (Black Nickel), BR (Polished Brass), CH (Polished Chrome), PN (Pearl Nickel), SB (Satin Brass), SC (Satin Chrome), and SS (Stainless Steel).
Inserts Available	Replace # with: WH (White) and BK (Black). Black or White gasket supplied to match appropriate inserts.
Material Composition	Rear Housing: Urea Front Plate: Stainless Steel Terminals: Brass, Terminal Screws: Steel and Yellow Passivated Earth Strap: Mild Steel, Silver "on-lay" copper/brass contacts.
Back Box Depth	47mm
Fuse	PTC Resettable Fuse
Hold Current	0.12A
Trip Current	0.30A
Max. Time to Trip	15 seconds
Maximum Current	1.2A
Voltage	Rated Voltage 240V Max. Int Voltage 265V
Typical Power	1W
Resistance	Rmin 3Ω R1max 12Ω
Operating Temperature Range	-40°C to 85°C
Cable Size	2 x 1.5mm ² or 1 x 2.5mm ²
Twin Earth	Yes
Ingress Protection	IP21
Warranty	10 Years

Additional Information	
	<p>This outlet is not continuously rated and therefore not suitable for use as a permanent charging outlet.</p> <p>CLICK dual voltage shave outlets incorporate a double wound isolating transformer rated 20Va at 230V or 115V and meets BS EN 61558-2-5:1998 making it safe for use in bathrooms.</p> <p>PTC resettable fuses increase resistance as temperature increases due to increased flow. PTC resettable fuses are designed to limit unsafe currents while allowing constant safe current levels, resistance will "reset" automatically when the fault is removed and temperature returns to a safe level.</p>

Errors & Omissions excluded. Specification is subject to change without notice.

V2.0

PORTER

DIJON LARGE CABINET

CP404

DELIVERY

For delivery of your porter products, access for a small truck may be required. If this is not possible, please inform your porter representative prior to delivery. Once your product has been delivered to your door by our chosen transport partner, it must be carried into your home and fitted by your chosen builder, plumber, contractor etc. It is not the delivery driver's responsibility to carry the product inside the home, but at his/her discrepancy they may assist if the unit is being placed in a garage or similar for storage etc.

When your product is being delivered, please take the time to check over all items by removing the outer packaging or by opening the delivery box by lifting the lid off followed by the sides and finally the rest of the packaging. Any signs of damage during transport should be reported immediately.

HANDLING

For safe handling and manoeuvring of all large products, marble/stone tops, we recommend that 2 people are used to move and lift at all times. Carry and store the marble/stone top and backsplash on its edge at all times. Full pre-plumbing dimensions and instructions are available to download from our website for your chosen unit at:
www.porterbathroom.com

- i. When manoeuvring porter's vanities or baths, the marble/stone top will not be permanently fixed to the unit or bath at this point and should be lifted carefully off by 2 persons and placed carefully aside from the unit.
- ii. The main base can then be carried into the bathroom and fitted into position.
- iii. Before installing the marble onto the base, please ensure all pipework is in its correct position, drilling any necessary holes in the rear of the unit wall.
- iv. Fix the unit to the wall on both sides through the guide holes provided.
- v. When fitting the top, place it on its edge at the rear of the unit before lowering the front into position. If needed, to remove the top, lift the front of the marble/stone top up first until vertical and carry the top away, always keeping the top vertical.
- vi. When fitting the marble top on permanently, we recommend using a clear natural silicone to bond it to the base, using the same natural silicone to bond the backsplash to the wall.

PORTER

DIJON LARGE CABINET

CP404

PRODUCT CARE

Cabinetry

1. For all base units and cabinetry in both oak & painted, we recommend occasional cleaning when necessary with a soft damp cloth and some mild soap if required. Avoid Using any strong chemicals which may dull the surface over time.

Important The below room humidity levels and room temperature parameters must be adhered to, and a humidifier or de-humidifier should be used if required.

Humidity : min. 45% – max. 60%

Room temperature : 15 – 22 degrees Celsius

Metal

Chrome and nickel finish, it is important that you clean the metal only with a solution of soapy water and a soft dry cloth, and it is advisable not to use any form of chemical abrasive that is likely to damage the surface.

Brass only is a raw finish and can be left to mature ageing gracefully or if you wish for it to remain to a bright lustre you will be able to use a relevant brass polish of your choice, please refer to the polish manufacturers recommendations.