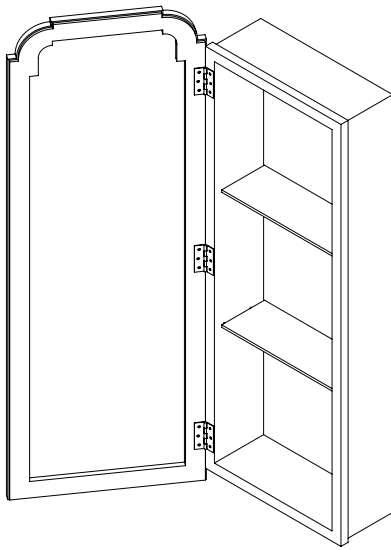


PORTER

CLARENDON TALL CABINET

Our classical Clarendon solid brass metal mirror cabinet is stately and sleek. Available in Porter's four metal finishes; polished brass, antiqued brass, polished nickel and polished chrome.



CM425

Width	400mm [15.7"]
Height	1150mm [45.3"]
Depth	175mm [6.9"]

DETAILS

Frame made from heavy gauge brass metal. Rear cabinet and mirror back made from Birch and Poplar Wood.

FINISHES

Our complete range of marble and limestone is available with this product. We offer custom finishes across all material types for a further fee dependent upon the custom finish required.

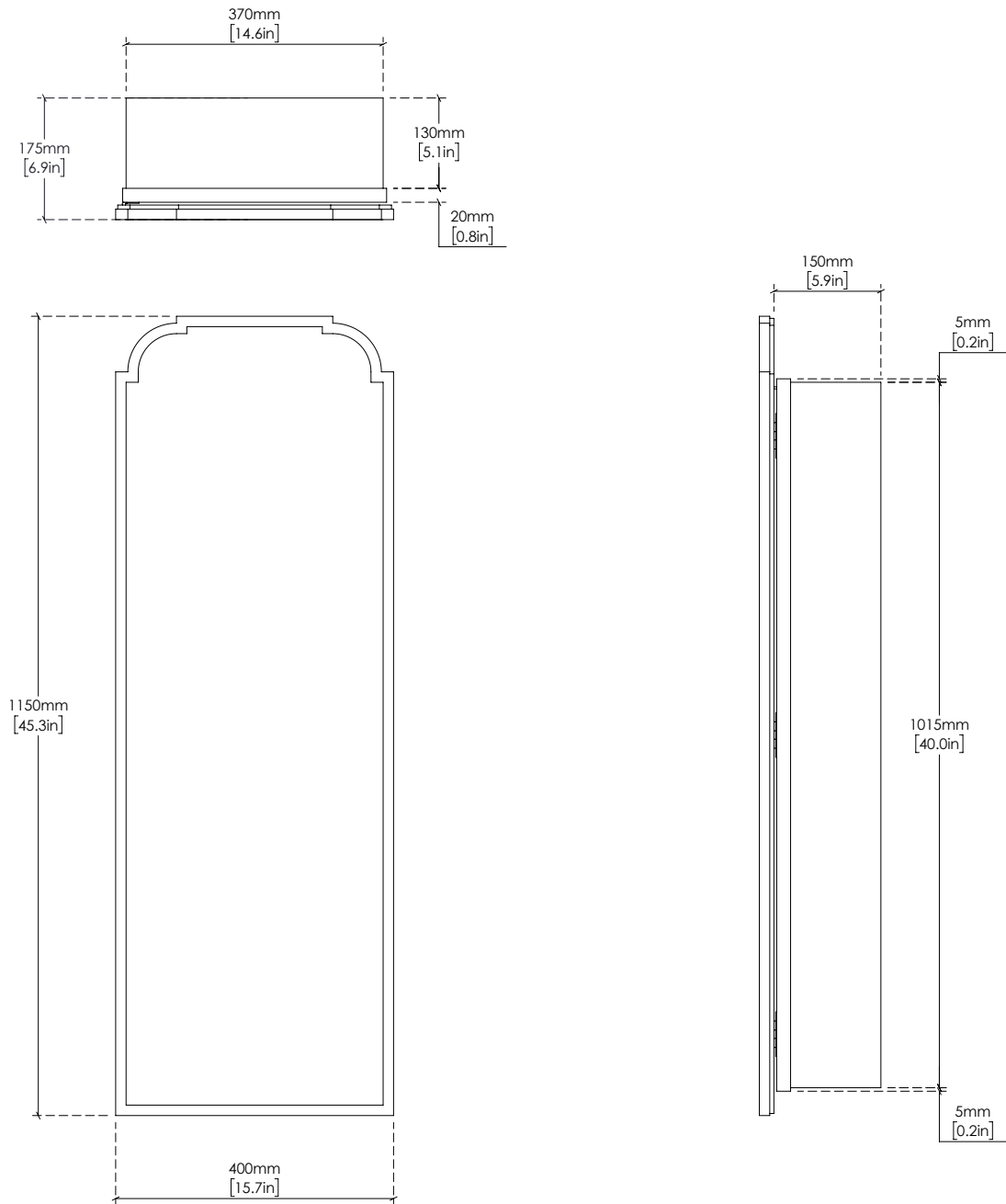
Polished Chrome	PC
Silver Nickel	SN
Polished Brass	PB
Antique Brass	AB

PORTER

CLARENDON TALL CABINET

CM425

PLAN AND DIMENSIONS



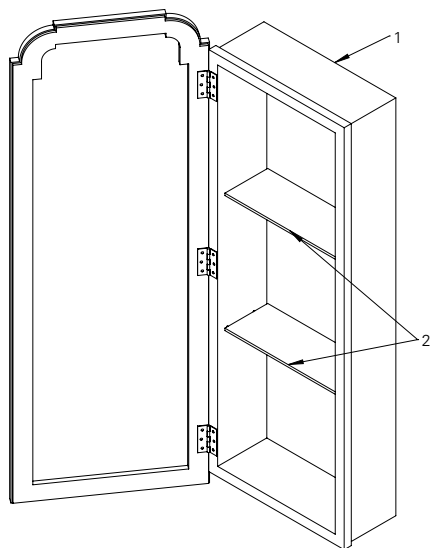
SCALE 1:10

PORTER

CLARENDON TALL CABINET

CM425

PACKAGE COMPONENTS



3



4

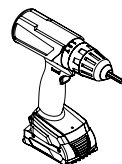


5



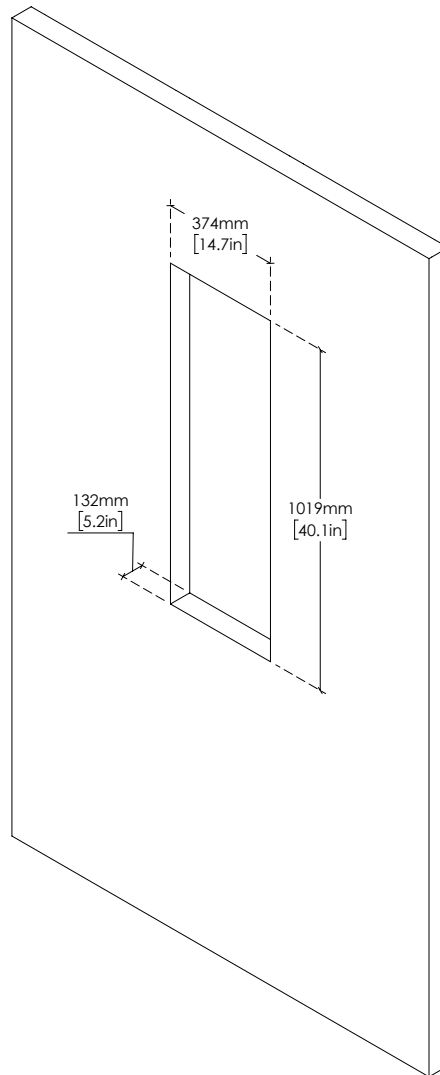
ITEM	PART	QUANTITY
1	MIRROR CABINET	1
2	GLASS SHELF	2
3	FIXING SCREW	8
4	WALL PLUG	8
5	SHELF SUPPORTS	8

TOOLS REQUIRED



ASSEMBLY INSTRUCTIONS

1. RECESS OPENING



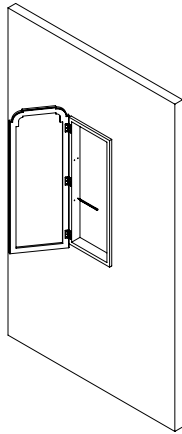
PORTER

CLARENDON TALL CABINET

CM425

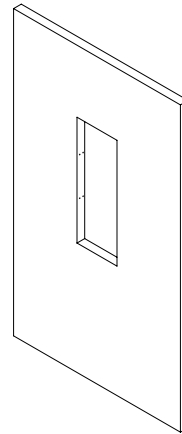
ASSEMBLY INSTRUCTIONS

2. PLACEMENT SETTINGS

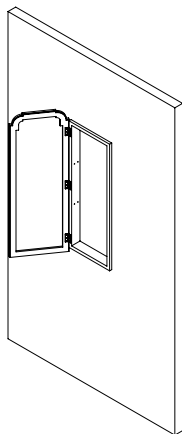


MARK HOLES SO THAT FIXINGS ARE CONCEALED BEHIND SHELVES

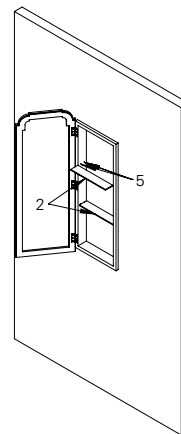
3. DRILLING POSITIONS



4. FIXING THE UNIT



5. INSERT SHELVES

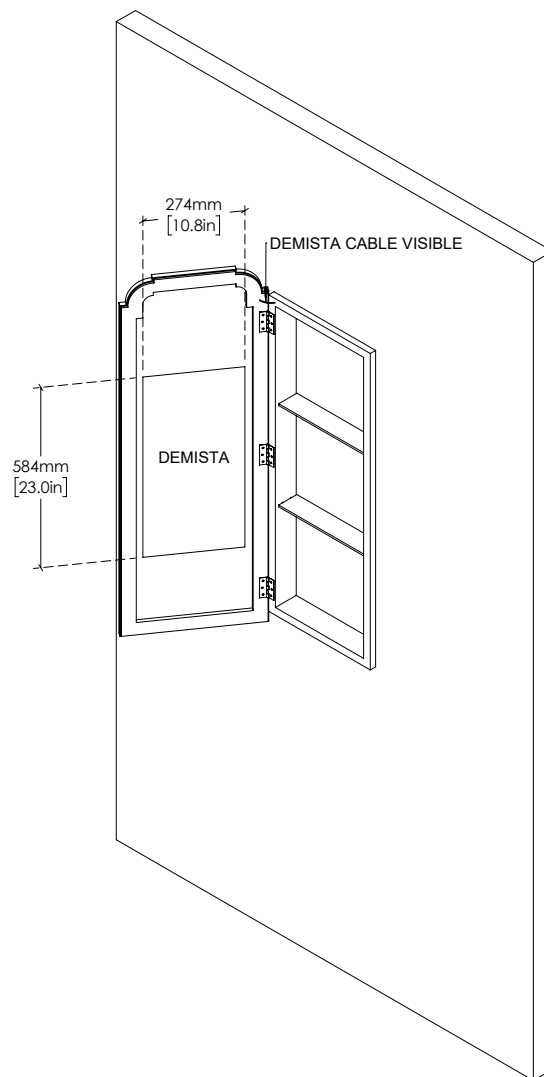


PORTER

CLARENDON TALL CABINET

CM425

OPTIONAL EXTRA 1; DEMISTA



demista

GENERAL SPECIFICATION

Approved to: EN60335-1:2002+A1,A2,A11,A12,A13,A14,A15 and EN60335-2-30:2009+A11

Power Rating: 200W/m²

Standard Voltage: 12V AC

Insulation Class: 2-double insulated

Thickness: 1 mm

IP Rating: 44

Cable connector: 30 x 40 x 5mm

Cable: 1m twin core 1.0mm² oval

Adhesive: acrylic

Material: Double insulated multi-layer polyester/polyethylene

Mirror temperature: Approximately 10 -15°C above ambient room temp.

Heating time: 3-5 minutes to start heating the mirror (depending on ambient room temperature)

Heat spread: Approximately 30% area around the pad

<i>demista</i> TM Model Number	Nominal Power (Watts)	Dimen- sions(mm)	Resistance range (Ohms)	Current(Amps)
7520	25	584 x 274	5.5 – 6.4	2.0

Note: transformer for the above demista is required (not supplied) with the cabinet and should be supplied and installed by a fully qualified electrician.

10 year warranty against any manufacturing fault, providing *demista*TM is fitted strictly in accordance with instructions supplied.

demista[®]

DEMISTA is a registered trademark of Demista Ltd

Telford Road, Glenrothes, Fife, KY7 4NX

Tel: +44 (0) 1932 866600

Email: sales@demista.co.uk

Fax +44 (0) 1932 866688

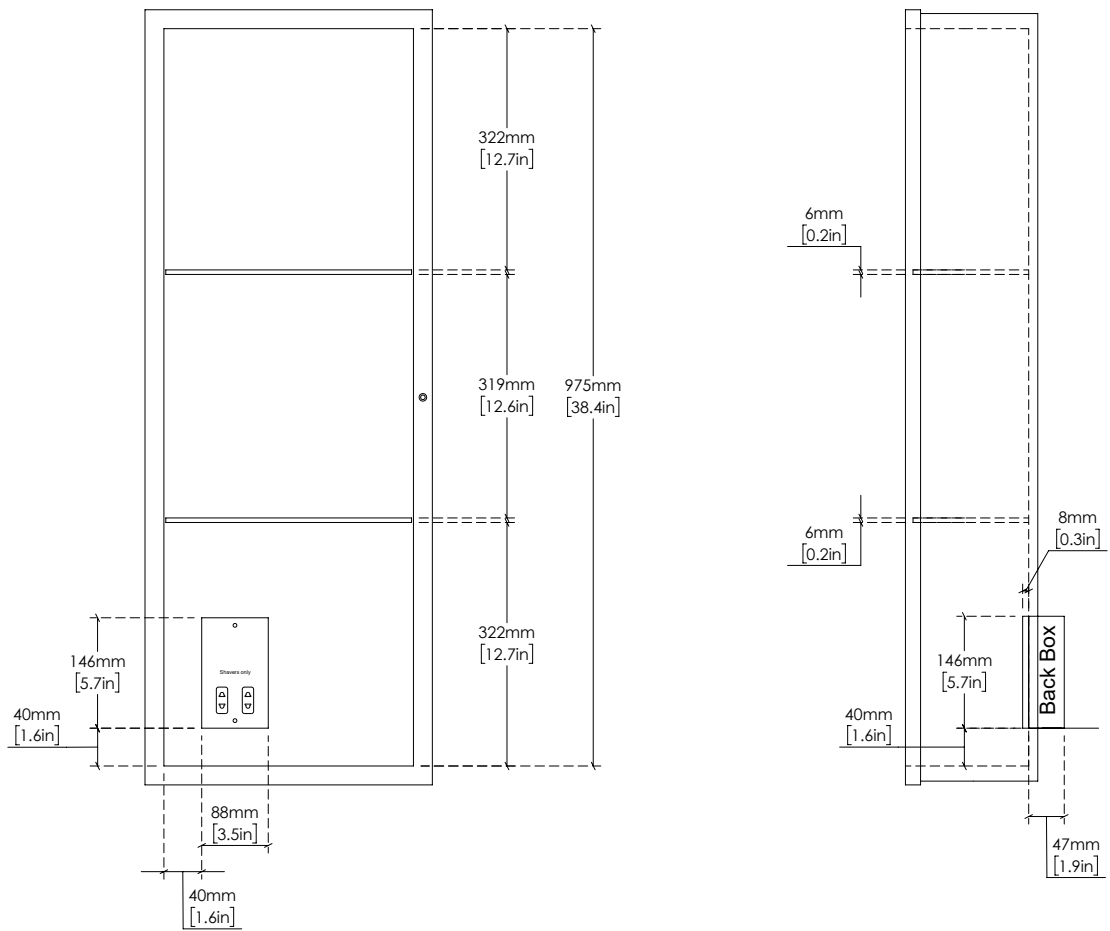
www.demista.co.uk

PORTER

CLARENDON TALL CABINET

CM425

OPTIONAL EXTRA 2; SHAVER SOCKET



SHAVER SOCKET POSITION CUT OUT PRIOR TO DELIVERY

SPECIFICATION SHEET

Product Code VP*100#

Description 115V – 230V Dual Voltage Shaver Socket Outlet



General Information	
Dimensions	146mm x 88mm x 8mm (Excluding Gasket)
Finishes Available	Replace * with: AB (Antique Brass), BN (Black Nickel), BR (Polished Brass), CH (Polished Chrome), PN (Pearl Nickel), SB (Satin Brass), SC (Satin Chrome), and SS (Stainless Steel).
Inserts Available	Replace # with: WH (White) and BK (Black). Black or White gasket supplied to match appropriate inserts.
Material Composition	Rear Housing: Urea Front Plate: Stainless Steel Terminals: Brass, Terminal Screws: Steel and Yellow Passivated Earth Strap: Mild Steel, Silver "on-lay" copper/brass contacts.
Back Box Depth	47mm
Fuse	PTC Resettable Fuse
Hold Current	0.12A
Trip Current	0.30A
Max. Time to Trip	15 seconds
Maximum Current	1.2A
Voltage	Rated Voltage 240V Max. Int Voltage 265V
Typical Power	1W
Resistance	Rmin 3Ω R1max 12Ω
Operating Temperature Range	-40°C to 85°C
Cable Size	2 x 1.5mm ² or 1 x 2.5mm ²
Twin Earth	Yes
Ingress Protection	IP21
Warranty	10 Years

Additional Information
<p>This outlet is not continuously rated and therefore not suitable for use as a permanent charging outlet.</p> <p>CLICK dual voltage shave outlets incorporate a double wound isolating transformer rated 20Va at 230V or 115V and meets BS EN 61558-2-5:1998 making it safe for use in bathrooms.</p> <p>PTC resettable fuses increase resistance as temperature increases due to increased flow. PTC resettable fuses are designed to limit unsafe currents while allowing constant safe current levels, resistance will "reset" automatically when the fault is removed and temperature returns to a safe level.</p>

PORTER

CLARENDON TALL CABINET

CM425

DELIVERY & HANDLING

DELIVERY

FOR DELIVERY OF YOUR PORTER PRODUCTS, ACCESS FOR A SMALL TRUCK MAY BE REQUIRED. IF THIS IS NOT POSSIBLE, PLEASE INFORM YOUR PORTER REPRESENTATIVE PRIOR TO DELIVERY. ONCE YOUR PRODUCT HAS BEEN DELIVERED TO YOUR DOOR BY OUR CHOSEN TRANSPORT PARTNER, IT MUST BE CARRIED INTO YOUR HOME AND FITTEN BY YOUR CHOSEN BUILDER, PLUMBER, CONTRACTOR ETC. IT IS NOT THE DELIVERY DRIVER'S RESPONSIBILITY TO CARRY THE PRODUCT INSIDE THE HOME, BUT AT HIS/HER DISCEPANCY THEY MAY ASSIST IF THE UNIT IS BEING PLACED IN A GARAGE OR SIMILAR FOR STORAGE ETC.

WHEN YOUR PRODUCT IS BEING DELIVERED, PLEASE TAKE THE TIME TO CHECK OVER ALL ITEMS BY REMOVING THE OUTER PACKAGING OR BY OPENING THE DELIVERY BOX BY LIFTING THE LID OFF FOLLOWED BY THE SIDES AND FINALLY THE REST OF THE PACKAGING.

ANY SIGNS OF DAMAGE DURING TRANSPORT SHOULD BE REPORTED IMMEDIATELY.

HANDLING

FOR SAFE HANDLING AND MANEUVERING OF ALL LARGE PRODUCTS, MARBLE/STONE TOPS, WE RECOMMEND THAT 2 PEOPLE ARE USED TO MOVE AND LIFT AT ALL TIMES.

CARRY AND STORE THE MARBLE/STONE TOP AND BACKSPLASH ON ITS EDGE AT ALL TIMES.

FULL PRE-PLUMBING DIMENSIONS AND INSTRUCTIONS ARE AVAILABLE TO DOWNLOAD FROM OUR WEBSITE FOR YOUR CHOSEN UNIT AT WWW.PORTERBATHROOM.COM

I. WHEN MANEUVERING PORTER'S VANITIES OR BATHS, THE MARBLE/STONE TOP WILL NOT BE PERMANENTLY FIXED TO THE UNIT OR BATH AT THIS POINT AND SHOULD BE LIFTED CAREFULLY OFF BY 2 PERSONS AND PLACED CAREFULLY ASIDE FROM THE UNIT.

II. THE MAIN BASE CAN THEN BE CARRIED INTO THE BATHROOM AND FITTED INTO POSITION

III. BEFORE INSTALLING THE MARBLE ONTO THE BASE, PLEASE ENSURE ALL PIPEWORK IS IN ITS CORRECT POSITION, DRILLING ANY NECESSARY HOLES IN THE REAR OF THE UNIT WALL.

IV. FIX THE UNIT TO THE WALL ON BOTH SIDES THROUGH THE GUIDE HOLES PROVIDED.

V. WHEN FITTING THE TOP, PLACE IT ON ITS EDGE AT THE REAR OF THE UNIT BEFORE LOWERING THE FRONT INTO POSITION. IF NEEDED, TO REMOVE THE TOP, LIFT THE FRONT OF THE MARBLE/STONE TOP UP FIRST UNTIL VERTICAL AND CARRY THE TOP AWAY, ALWAYS KEEPING THE TOP VERTICAL.

VI. WHEN FITTING THE MARBLE TOP ON PERMANENTLY, WE RECOMMEND USING A CLEAR NATURAL SILICONE TO BOND IT TO THE BASE, USING THE SAME NATURAL SILICONE TO BOND THE BACKSPLASH TO THE WALL.

PRODUCT CARE

STONE

CARE & PROTECTION FOR YOUR WORK SURFACE WILL DEPEND ON THE TYPE OF MATERIAL YOU HAVE CHOSEN. PORTER NATURAL SOAP CLEANER CAN BE USED ON ALL SURFACES FOR GENERAL WEEKLY CLEANING OF YOUR SURFACE. THIS SHOULD BE SPRAYED ON AND WIPE WITH A CLEAN CLOTH, REMOVING ANY RESIDUE AND LEAVING A CLEAN SURFACE. TO KEEP THE SURFACE FULLY SEALED, WE RECOMMEND APPLYING A COAT OF SEALER ANNUALLY. THE FOLLOWING PROCEDURES SHOULD BE FOLLOWED;

NATURAL STONE

I. THOROUGHLY CLEAN THE SURFACE, ALLOWING IT TO DRY BEFORE APPLYING A COAT OF SEALER BY POURING IT DIRECTLY ONTO THE SURFACE AND SPREADING IT EVENLY OVER THE MARBLE / NATURAL STONE USING A CLEAN WHITE CLOTH.

II. THE SEALER SHOULD BE ALLOWED TO PENETRATE THE MARBLE FOR APPROXIMATELY 5 MINUTES BEFORE WIPING ANY EXCESS SEALER OFF THE TOP.

III. THE MARBLE / NATURAL STONE SURFACE SHOULD NOT BE EXPOSED OR SPLASHED WITH WATER FOR A FURTHER 12 HOURS TO ALLOW THE SEALER TO FULLY DRY.

IMPORTANT; AVOID USING ANY ABRASIVE CLOTHS, ACIDIC OR DETERGENT CHEMICALS AS THESE WILL DULL THE SURFACE.

ARTIFICIAL STONE

I. ALL SURFACES OF THIS TYPE CAN BE CLEANED USING PORTER NATURAL SOAP CLEANER.

II. THESE SURFACES DO NOT REQUIRE SEALING ANNUALLY AS THEY ARE A NON-POROUS MATERIAL.

IMPORTANT; AVOID USING ANY ABRASIVE CLOTHS, ACIDIC OR DETERGENT CHEMICALS AS THESE WILL DULL THE SURFACE.

CABINERY

I. FOR ALL BASE UNITS AND CABINERY IN BOTH OAK & PAINTED, WE RECOMMEND OCCASIONAL CLEANING WHEN NECESSARY WITH A SOFT DAMP CLOTH AND SOME MILD SOAP IF REQUIRED. AVOID USING ANY STRONG CHEMICALS WHICH MAY DULL THE SURFACE OVER TIME.

IMPORTANT; THE BELOW ROOM HUMIDITY LEVELS AND ROOM TEMPERATURE PARAMETERS MUST BE ADHERED TO, AND A HUMIDIFIER OR DE-HUMIDIFIER SHOULD BE USED IF REQUIRED.

HUMIDITY ; MIN 45% - MAX 60%

ROOM TEMPERATURE ; 15 - 22 DEGREE CELSIUS.

PORTER

CLARENDON TALL CABINET

CM425

PRODUCT CARE

METAL

POLISHED CHROME / NICKEL

I. TO CLEAN ANY OF THESE FINISHES USE A DAMP CLOTH WITH A MILD SOAP CLEANER IF REQUIRED.

IMPORTANT; AVOID USING ANY ABRASIVE CLOTHS & DETERGENT CHEMICALS.

POLISHED BRASS

I. POLISHED BRASS FINISH IS SUPPLIED POLISHED & LACQUERED, ALLOWING THE BRASS TO OXIDIZE AND AGE NATURALLY.

II. TO MAINTAIN A BRIGHT POLISHED FINISH, REGULAR CLEANING AND POLISHING IS NEEDED WITH BRASSO OR SIMILAR CLEANER.

IMPORTANT; AVOID USING ANY STRONG DETERGENT CHEMICALS THAT MAY CAUSE ETCHING. PORTER BRASS FINISHED PRODUCTS CAN CONSIST OF DIFFERENT PARTS AND COMPONENTS WHICH CAN VARY SLIGHTLY IN APPEARANCE DEPENDING ON THE BRASS ALLOY COMBINATION. A NATURAL PATINA AND AUTHENTIC APPEARANCE SHOULD BE EXPECTED OVER TIME WITH THIS FINISH.

ANTIQUE BRASS

I. PORTER 'LIGHT ANTIQUE BRASSWARE' FINISH IS SUPPLIED AGED AND FINIHD WITH A WAXED PROTECTIVE COATING.

II. TO MAINTAIN THIS FINISH, CLEAN ONLY WITH A SOFT CLEANING CLOTH WHERE POSSIBLE.

III. IF NECESSARY, CLEAN WITH A SOFT SCOURING PAD AND BRASS CLEANER AND RE-APPLY PROTECTIVE WAX COATING AFTERWARDS.

IMPORTANT; THE CLEANING PROCESS FREQUENCY WILL DEPEND ON THE USAGE AND WEAR OF THE MATERIAL. HEAVY CLEANING MAY LIGHTEN THE FINISH, HOWEVER OVER TIME THIS WILL NATURALLY AGE AND PATINA. FOR AREAS IN CONSTANT CONTACT WITH WATER, CLEANING AND RE-WAXING IS IMPORTANT TO HELP MAINTAIN THE FINISH, HOWEVER A NATURAL PATINA AND AUTHENTIC APPEARANCE SHOULD BE EXPECTED OVER TIME WITH THIS FINISH.