

TRINITY TALL CONE

OUR TRINITY TALL IS A SLENDER, ELEGANT SINGLE ARM WALL-MOUNTED LIGHTING UNIT FEATURING A PLEASING ROUNDED BASE. CHOOSE OVAL OR CONE-SHAPED SHADE OPTIONS.

AVAILABLE FINISHES

| | |
|-----------------|----|
| POLISHED CHROME | PC |
| SILVER NICKEL | SN |
| POLISHED BRASS | PB |
| ANTIQUÉ BRASS | AB |

DIMENSIONS

| | |
|----------------|----------|
| HEIGHT [MM/IN] | 510/20.0 |
| WIDTH [MM/IN] | 140/5.5 |
| DEPTH [MM/IN] | 195/7.7 |

DETAILS

CAST FROM SOLID BRASS. SILVER GREY SHADE COMPOSED OF NATURAL SILK AND MERINO WOOL. IP44 TESTED AND RATED.



SWATCHES

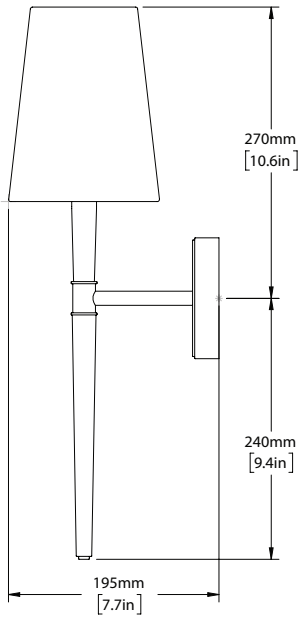


POLISHED CHROME SILVER NICKEL POLISHED BRASS ANTIQUÉ BRASS

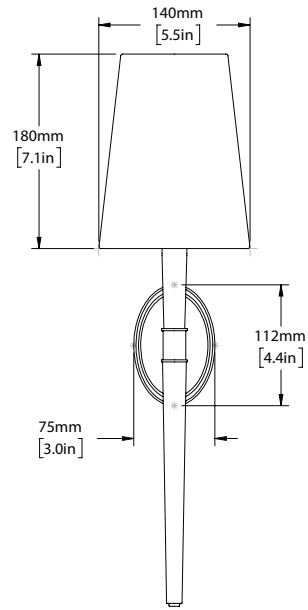
IMAGE REFERENCE

SILVER NICKEL FINISH

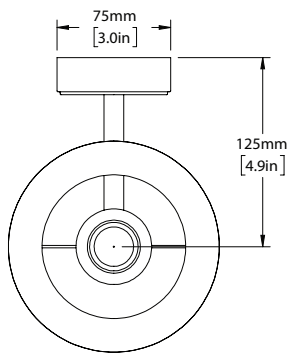
TRINITY TALL
CONE



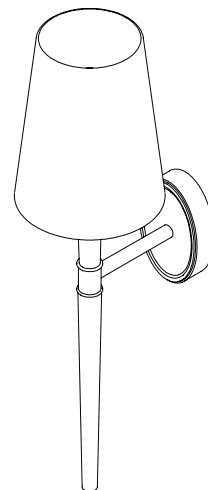
SCALE 1:7



SCALE 1:7



SCALE 1:5



SCALE 1:7