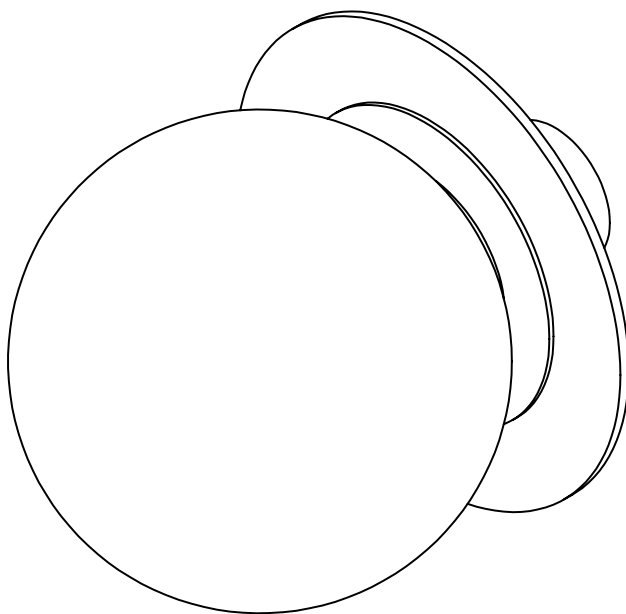


# PORTER

## KEW WALL LIGHT

Our Kew range features an illuminated lozenge shape and its cheerful design works as a pendant drop light, a wall-mounted pendant drop light or a wall mounted light.



## L 5 0 9

	MM	"
Diameter	138	5.4

### DETAILS

Cast from solid brass. Fosted glass which temper harsh illumination. IP44 tested and rated.

### FINISHES

We offer custom finishes across all material types for a further fee dependent upon the custom finish required.

### METAL

Polished chrome

Silver nickel

Polished brass

Antique brass

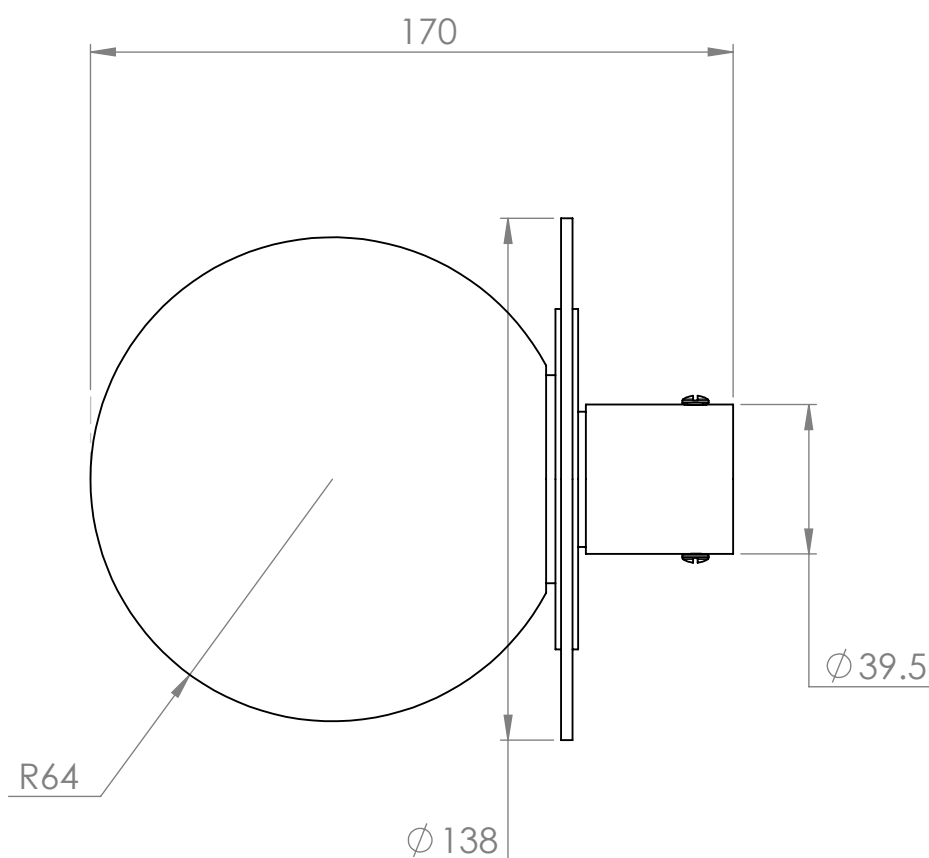


# PORTER

KEW WALL LIGHT

L509

PLAN AND DIMENSIONS

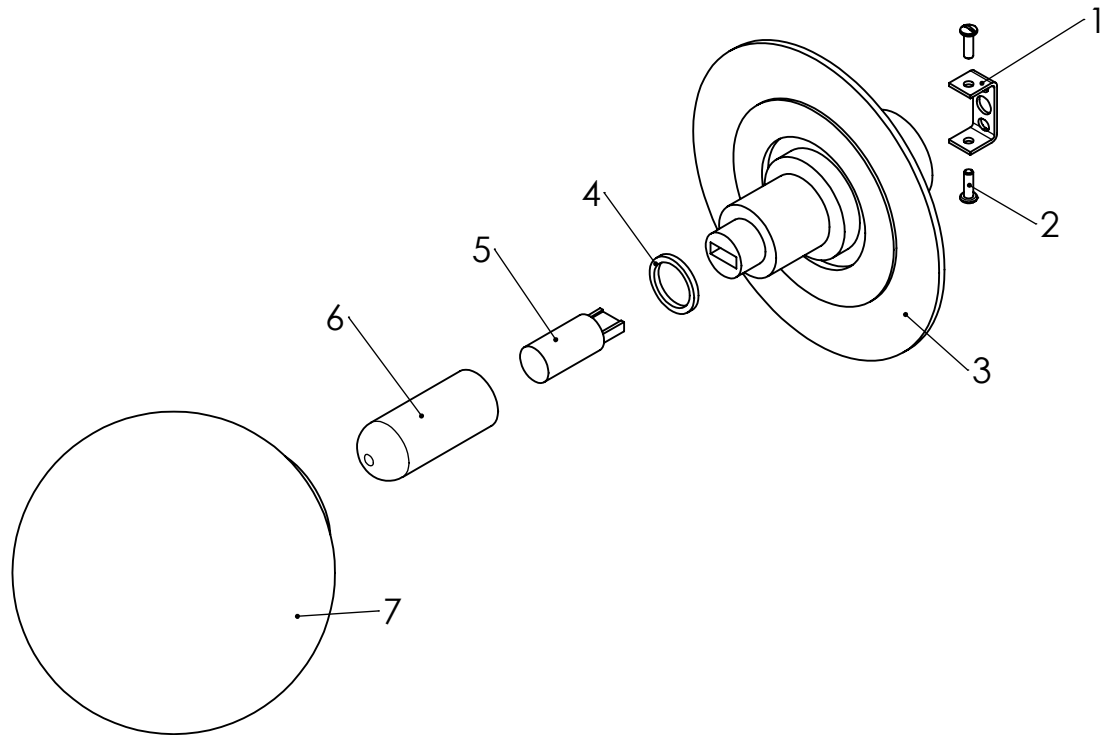


# PORTER

KEW WALL LIGHT

L509

## PACKAGE COMPONENTS








ITEM	PART	QNTY
1	BRACKET	1
2	BRASS SCREW	2
3	MAIN BODY	1
4	RUBBER WASHER	1
5	LED G9 LAMP	1
6	THREADED GLASS COVER	1
7	GLASS GLOBE	1

## LUMINAIRE INSTALLATION INSTRUCTIONS

1. Before starting the electrical work or connecting your light you will need to switch off your power supply at the fuse box (consumer unit). Either the miniature circuit breaker (MCB) can be turned off for the circuit for your light and applying RED insulating tape over the MCB to prevent it from being accidentally turned on. Or the main switch can be turned off, the circuit fuse removed, and the main switch turned on again to restore power to the rest of the house.

2. Colour code for fixed wiring :

GREEN/YELLOW	- Earth		
BROWN	- Live (introduced 2004)		Live (Pre 2004 colour code) RED 
BLUE	- Neutral (introduced 2004)		Live (Pre 2004 colour code) BLACK 
BLUE with brown sleeving	- Switch wire with sleeving (introduced 2004)		

NOTE: Some luminaires may have a clear cable. In this case, the earth wire will be marked with green/yellow thread.

3. CLASS 1 Luminaires (Earthed). Connect the brown wire from the luminaire to the supply live wire (red or brown). Connect the blue wire to the supply neutral wire (black or blue). Connect the green/yellow wire to the supply earth wire (green/yellow) or connect the supply earth to the luminaire earth terminal marked

4. Fix the luminaire to mounting surface making sure that no wires are trapped or damaged. Wires must be routed away from hot metal surfaces and not laid onto the back plate.

5. Fit all grommets supplied to protect wiring from any sharp edges. These fittings are not suitable for mounting on normally flammable surfaces (wood, paper etc). These are suitable for mounting on non-flammable surfaces e.g. plaster, concrete and metal.

If there is insufficient space within the luminaire for a terminal block then any connections must be made in the ceiling or wall space within a connection box. If no terminal block is included, installation may require advice from a qualified electrician.

6. Fit the correct wattage and type of lamp (bulb). We recommend you turn off the power before removing the lamp. Take care not to touch halogen lamps with bare fingers. If you do, clean lamp with alcohol and allow to dry. This fitting has been supplied with an LED lamp and we recommend using LED lamps for any future replacements. As this fitting is supplied with an LED lamp it is not suitable for dimming. If you require a dimming function a halogen lamp can be used. This is not recommended for safety reasons due to possible high product temperatures that can result. Safety shields, where supplied, MUST be used. Where luminaires are supplied with lamps these must be used or replaced with a reputable branded lamp.

# PORTER


KEW WALL LIGHT

L 5 0 9

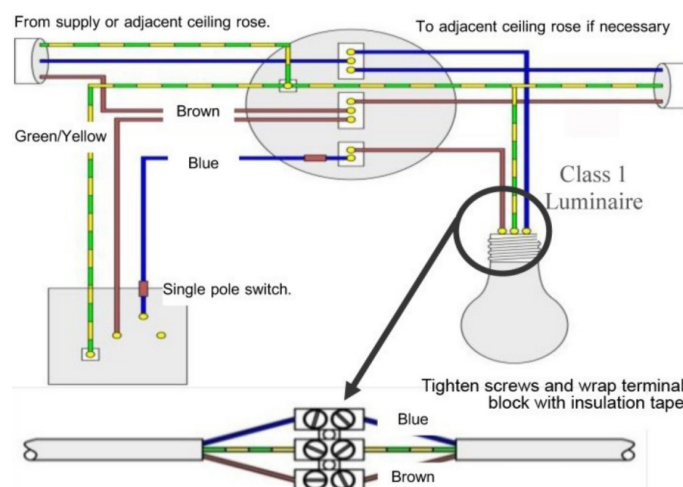
## LUMINAIRE INSTALLATION INSTRUCTIONS

7. Where applicable, fix glass securely to the luminaire. If screws are used to secure the glass, ensure that the glass is not stressed by over-tight screws. The screws should be finger tight. Be aware of sharp edges when handling glass and light fitting internals. Use the protective pads between glass and frame where supplied.

8. Re-connect the electricity supply and switch on. Enjoy your new luminaire.

9. Luminaires marked with this symbol  must not be disposed as domestic waste. Your retailer or Civic Amenity Site will advise.

NOTES: Plastered, painted or papered surfaces must be completely dry before installation to avoid the possibility of damage or discolouration to the luminaire. If there is any doubt that the surface may be damp, we recommend that a thin film of polythene is placed between the luminaire and mounting surface. This film can be removed when the surface is completely dry. Clean by using a soft, dry cloth. Do not use abrasives or metal polish. As this fitting is supplied with an LED lamp it is not suitable for dimming. Some luminaires with low energy or low voltage lamps are not suitable. If in doubt, contact your lighting supplier. Some low voltage luminaires with toroidal (doughnut-shaped) transformers can cause the lighting circuit breaker to trip if it is too sensitive. If this happens, the MCB may need to be upgraded with a type 'C' MCB - Check with your electrician. This is NOT a fault with the light fitting. If the luminaire uses G9 mains halogen lamps, for safety, replace only with a reputable branded lamp. Luminaires with external flexible cables, if damaged, shall be replaced by Porter Bathroom or a qualified person to avoid a hazard. Any alterations to the luminaire or internal wiring will void the manufacturers' warranty. Do not mix switch start ballasts and High Frequency electronic ballasts on the same circuit. Improper selection, or improper use of the products and / or systems referred to and described herein or related items can cause personal injury or property damage, Porter Bathrooms Limited. does not assume responsibility and disclaims liability for damage, loss, or expense arising from improper use, operation, or installation of this product.

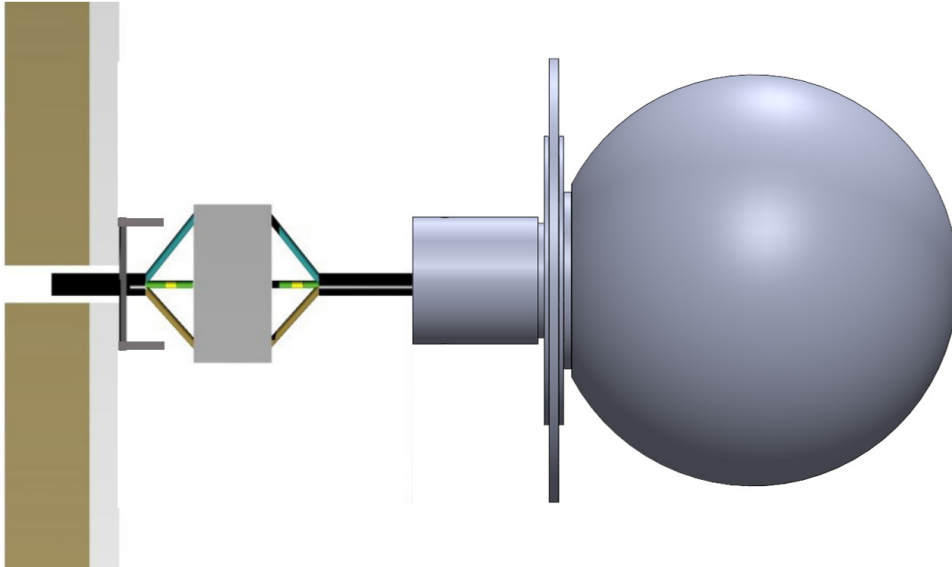


# PORTER

KEW WALL LIGHT

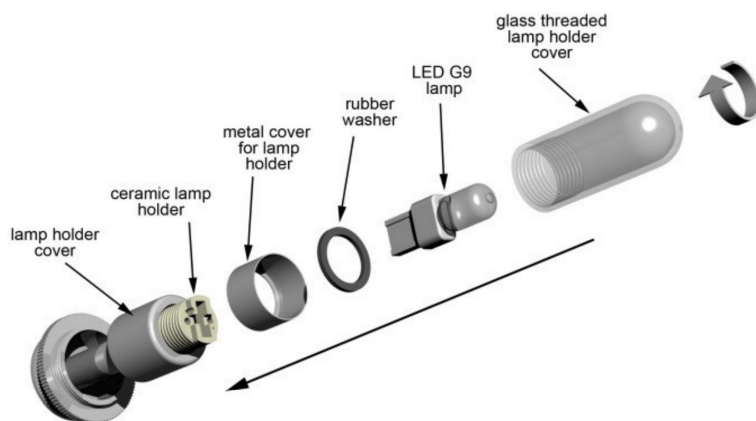
L509

## LUMINAIRE INSTALLATION INSTRUCTIONS



### Fixing instructions

1. Fix bracket to solid wall mounting surface.
2. Connect light to power supply using terminal block (supplied).
3. Wind up cables in circular motion into ceiling rose.
4. Encase Terminal block and cables in back plate with silicone sealant allowing sufficient room for mounting bracket.
5. Place wall light back plate over installed bracket and fix with brass screws (supplied)



LUMINAIRE INSTALLATION INSTRUCTIONS

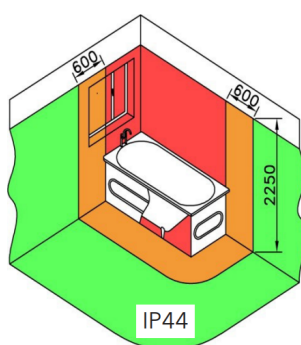
Mounting orientation		
Name	Image	Mounting Possibilities
Kew Wall Light		

## 10. Guide to Bathroom Lighting Zones

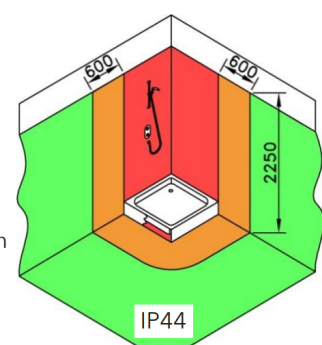
Electrical work in bathrooms must be carried out by a qualified electrician.

Full details of regulations can be found in the latest copy of the IEE wiring regulations.

Bathrooms are divided into Zones. These Zones are determined by the closeness of water and humidity and the likelihood of the light fitting getting wet. Bathroom light fittings are given an IP rating, which relates to these zones. The first digit of an IP rating describes its protection from solid objects such as gravel, insects and other dust. The second digit relates to its protection from moisture, which is directly relevant to the bathroom. The higher the number, the more protection it has.



- **Bathroom Zone 0** - is the inside of the bath tub or shower basin. (IP68 submersible) Suitable for saunas, steam rooms or may be mounted under-water.
- **Bathroom Zone 1** - (IP65 water jet proof) Should be fitted where the fitting may be subjected to a jet of water, for example from a shower head.
- **Bathroom Zone 2** - (IP44) Should be fitted wherever the fitting may be splashed, anywhere within 0.6 meters of a basin or similar water source.



# PORTER

KEW WALL LIGHT

L509

## DELIVERY

For delivery of your porter products, access for a small truck may be required. If this is not possible, please inform your porter representative prior to delivery. Once your product has been delivered to your door by our chosen transport partner, it must be carried into your home and fitted by your chosen builder, plumber, contractor etc. It is not the delivery driver's responsibility to carry the product inside the home, but at his/her discrepancy they may assist if the unit is being placed in a garage or similar for storage etc.

When your product is being delivered, please take the time to check over all items by removing the outer packaging or by opening the delivery box by lifting the lid off followed by the sides and finally the rest of the packaging. Any signs of damage during transport should be reported immediately.

## HANDLING

For safe handling and manoeuvring of all large products, marble/stone tops, we recommend that 2 people are used to move and lift at all times. Carry and store the marble/stone top and backsplash on its edge at all times. Full pre-plumbing dimensions and instructions are available to download from our website for your chosen unit at: [www.porterbathroom.com](http://www.porterbathroom.com)

- i. When manoeuvring porter's vanities or baths, the marble/stone top will not be permanently fixed to the unit or bath at this point and should be lifted carefully off by 2 persons and placed carefully aside from the unit.
- ii. The main base can then be carried into the bathroom and fitted into position.
- iii. Before installing the marble onto the base, please ensure all pipework is in its correct position, drilling any necessary holes in the rear of the unit wall.
- iv. Fix the unit to the wall on both sides through the guide holes provided.
- v. When fitting the top, place it on its edge at the rear of the unit before lowering the front into position. If needed, to remove the top, lift the front of the marble/stone top up first until vertical and carry the top away, always keeping the top vertical.
- vi. When fitting the marble top on permanently, we recommend using a clear natural silicone to bond it to the base, using the same natural silicone to bond the backsplash to the wall.



# P O R T E R

KEW WALL LIGHT

L 5 0 9

## PRODUCT CARE

### Metal

Chrome and nickel finish, it is important that you clean the metal only with a solution of soapy water and a soft dry cloth, and it is advisable not to use any form of chemical abrasive that is likely to damage the surface.

Brass only is a raw finish and can be left to mature ageing gracefully or if you wish for it to remain to a bright lustre you will be able to use a relevant brass polish of your choice, please refer to the polish manufacturers recommendations.