

P O R T E R

PRODUCT CODE
VM178

BELLMAX MID



OUR BELLMAX METAL VANITY MAKES A VIRTUE OF THE BEAUTY OF ITS CONSTRUCTION. THE HUMBLE WASHSTAND IS ELEVATED BY THE YACHTRAIL SOLID BRASS LINES AND BOASTS A UNIQUE OPEN SHELF WHICH IS HEATED.

AVAILABLE FINISHES

POLISHED CHROME	PC
SILVER NICKEL	SN
POLISHED BRASS	PB
ANTIQUÉ BRASS	AB

AVAILABLE IN ALL PORTER STONE OPTIONS

DIMENSIONS

WIDTH [MM/IN]	910/35.8
DEPTH [MM/IN]	510/20.1
HEIGHT [MM/IN]	855/33.7

WASTE OUT HEIGHT [MM/IN]	545/21.5
WATER IN HEIGHT [MM/IN]	955/37.6

DETAILS

TUBULAR METAL FRAME WASHSTAND WITH CENTRAL OPEN HEATED SHELF. MADE FROM HIGH GRADE CORROSION RESISTANT DZR BRASS. 1838 BTU

SWATCHES

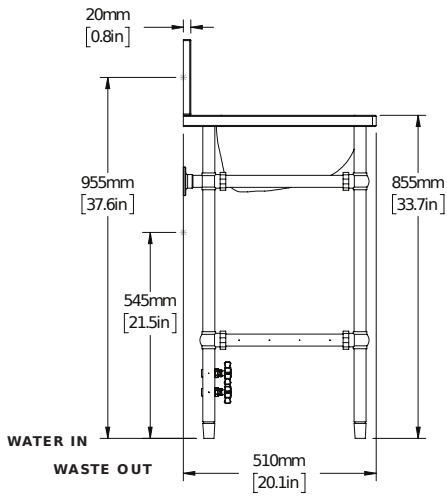


POLISHED CHROME SILVER NICKEL POLISHED BRASS ANTIQUÉ BRASS

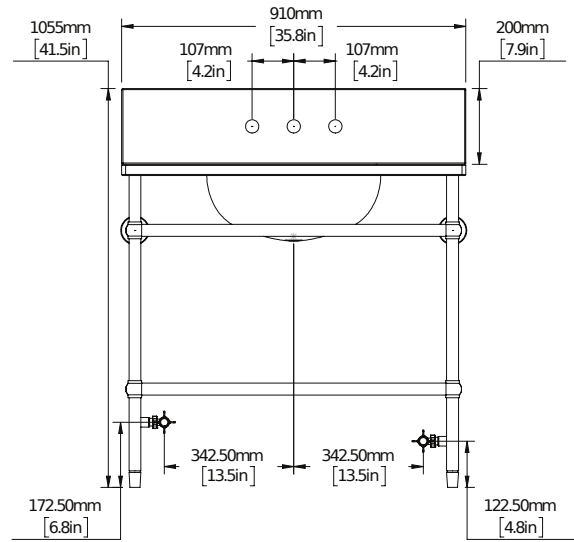
IMAGE REFERENCE

SILVER NICKEL VANITY
STONE CARRARA MARBLE HONED
SILVER NICKEL BRASSWARE

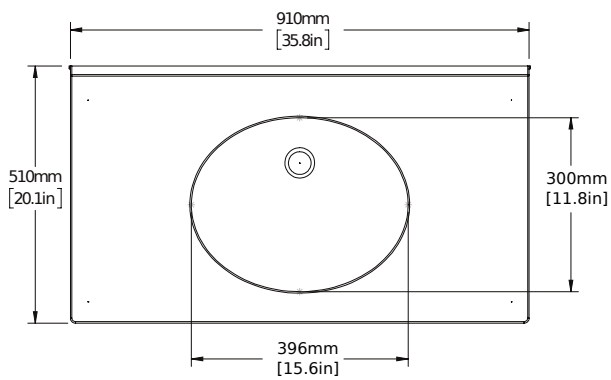
BELLMAX MID



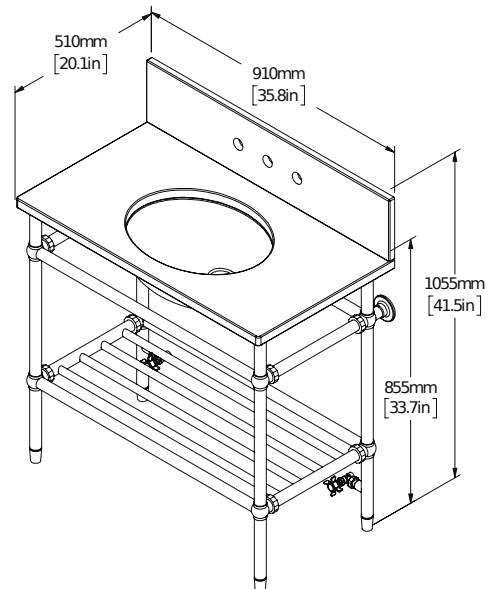
SCALE 1:20



SCALE 1:20



SCALE 1:15



SCALE 1:20