

## STRATFORD GRAND



THE STRATFORD IS A STUDY IN UPDATED CLASSICISM. TIMELESS, ELEGANT AND BEAUTIFULLY FUNCTIONAL.

### AVAILABLE FINISHES

PORTER COLOURS	VPPC
CUSTOM COLOUR	VPCC

BASE COLOUR (MOHER)  
AVAILABLE IN ALL PORTER STONE OPTIONS

### DIMENSIONS

WIDTH [MM/IN]	1800/70.9
DEPTH [MM/IN]	610/24.0
HEIGHT [MM/IN]	855/33.7
WASTE OUT HEIGHT [MM/IN]	500/19.7
WATER IN HEIGHT [MM/IN]	600/23.6

### DETAILS

TWO DOUBLE DOOR CENTRAL STORAGE WITH INNER SHELF. SINGLE DRAWER EITHER SIDE WITH EXTRA CABINET STORAGE BELOW. ALL WITH SOFT CLOSING MECHANISMS. SOLID BIRCH FRAMED WITH POPLAR WOOD AND MULTI LAYER PANELS.

### SWATCHES



PEAK MOHER (BASE) COMBE HOWTH CAUSEWAY COOLE

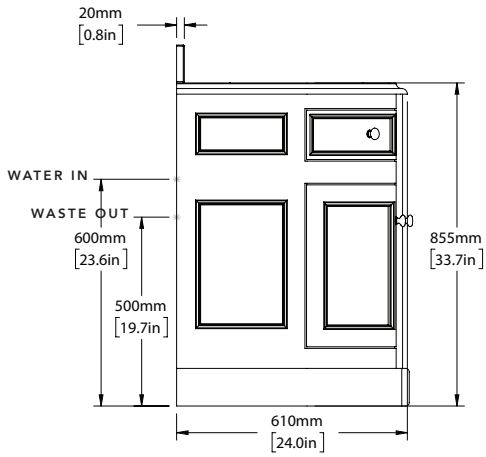


CUSTOM

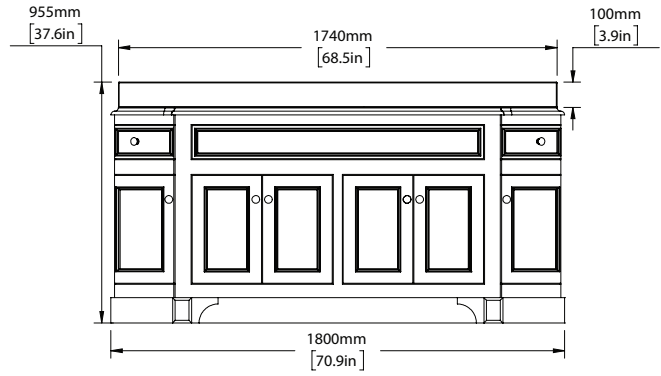
### IMAGE REFERENCE

PAINTED MOHER  
CARRARA MARBLE HONED  
SILVER NICKEL BRASSWARE

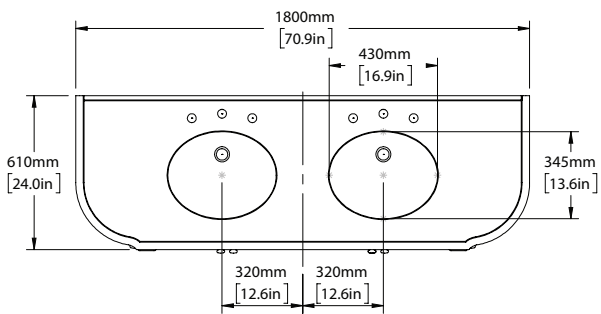
## STRATFORD GRAND



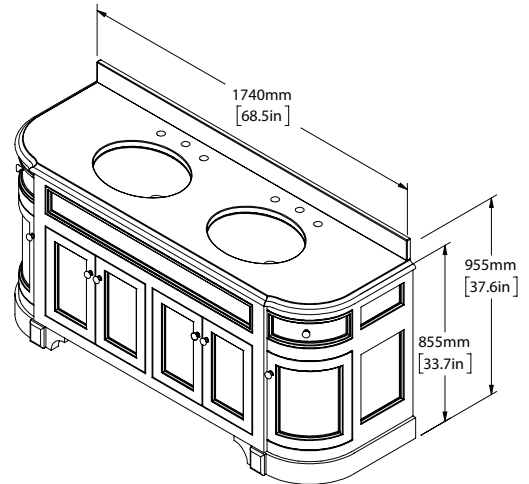
SCALE 1:20



SCALE 1:30



SCALE 1:30



SCALE 1:30