

VENDOME DOUBLE (LARGE)



THE VENDOME, WITH ITS TWIN SINK PLACEMENT, IS A STATEMENT PIECE FOR ANY MASTER EN-SUITE. A HANDSOME AND STATELY EXAMPLE OF OUR METICULOUS CRAFTSMANSHIP.

AVAILABLE FINISHES

PORTER COLOURS	VPPC
CUSTOM COLOUR	VPCC

BASE COLOUR (MOHER)
AVAILABLE IN ALL PORTER STONE OPTIONS

DIMENSIONS

WIDTH [MM/IN]	1630/64.2
DEPTH [MM/IN]	600/23.6
HEIGHT [MM/IN]	900/35.4
WASTE OUT HEIGHT [MM/IN]	545/21.5
WATER IN HEIGHT [MM/IN]	645/25.4

DETAILS

DOUBLE DOOR CENTRAL STORAGE WITH INNER SHELF. THREE DRAWERS EITHER SIDE. ALL WITH SOFT CLOSING MECHANISMS. SOLID BIRCH FRAMED WITH POPLAR WOOD AND MULTI LAYER PANELS.

SWATCHES



PEAK MOHER (BASE) COMBE HOWTH CAUSEWAY COOLE

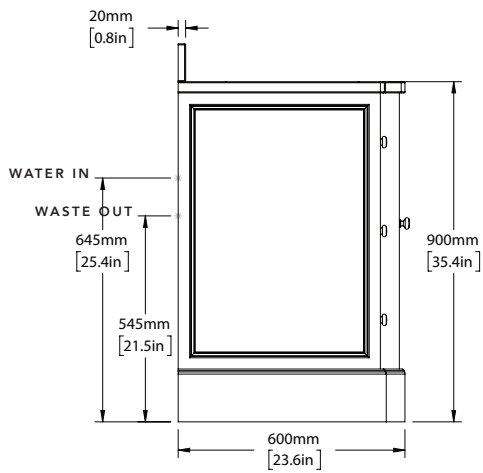


CUSTOM

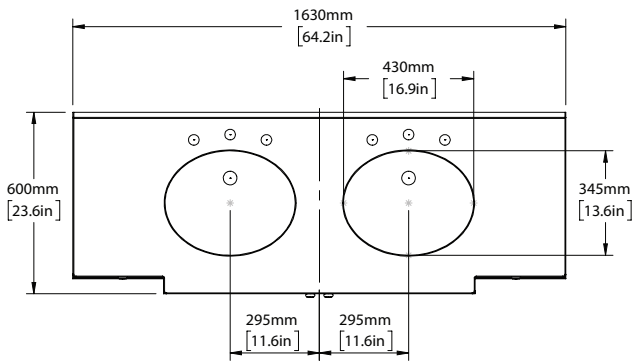
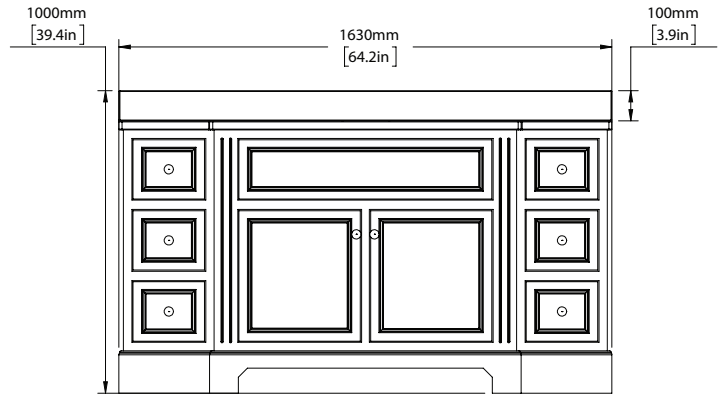
IMAGE REFERENCE

PAINTED MOHER
CARRARA MARBLE HONED
SILVER NICKEL BRASSWARE

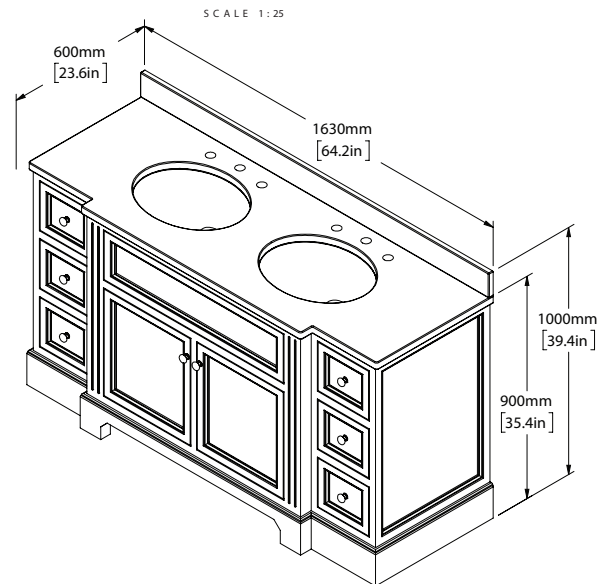
VENDOME DOUBLE (LARGE)



SCALE 1 : 20



SCALE 1 : 25



SCALE 1 : 25