

CARLTON DOUBLE



OUR CARLTON UNIT SHARES THE DESIGN DNA OF OUR CHARLESTON VANITY BUT ADDS USEFUL CENTRAL DRAWERS TO CREATE ITS OWN SILHOUETTE AND PERSONALITY.

AVAILABLE FINISHES

PORTER COLOURS	VPPC
CUSTOM COLOUR	VPCC

BASE COLOUR (MOHER)
AVAILABLE IN ALL PORTER STONE OPTIONS

DIMENSIONS

WIDTH [MM/IN]	1430/56.3
DEPTH [MM/IN]	570/22.4
HEIGHT [MM/IN]	900/35.4
WASTE OUT HEIGHT [MM/IN]	545/21.5
WATER IN HEIGHT [MM/IN]	645/25.4

DETAILS

THREE CENTRAL DRAWERS. SINGLE DOOR STORAGE WITH INNER SHELF EITHER SIDE. ALL WITH SOFT CLOSING MECHANISMS. SOLID BIRCH FRAMED WITH POPLAR WOOD AND MULTI LAYER PANELS.

SWATCHES



PEAK MOHER (BASE) COMBE HOWTH CAUSEWAY COOLE

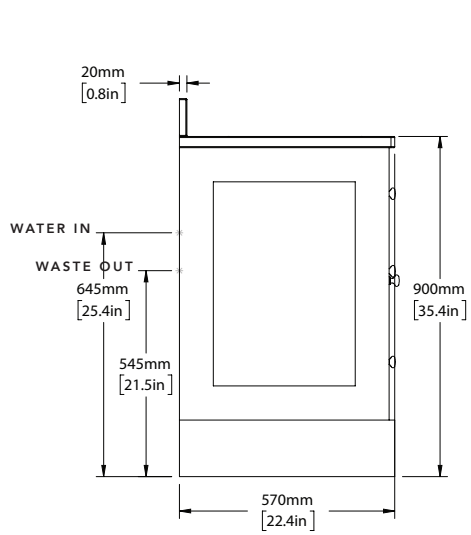


CUSTOM

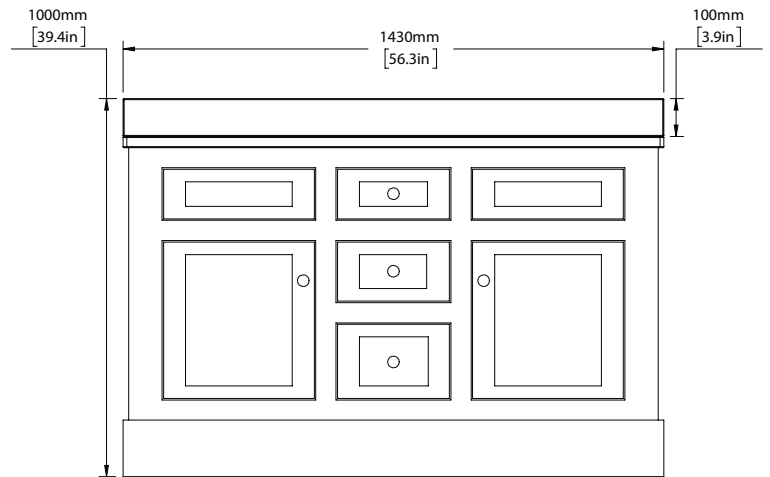
IMAGE REFERENCE

PAINTED MOHER
CARRARA MARBLE HONED
SILVER NICKEL BRASSWARE

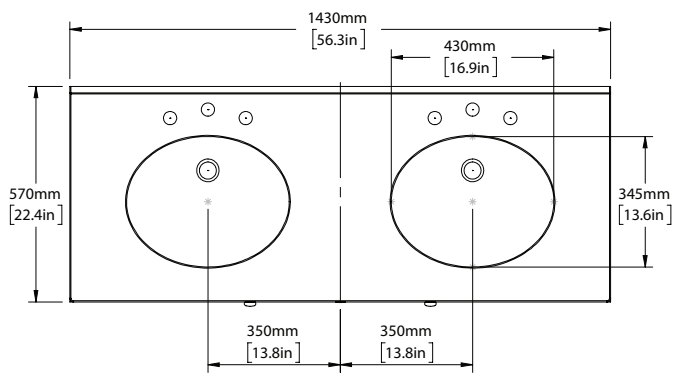
CARLTON DOUBLE



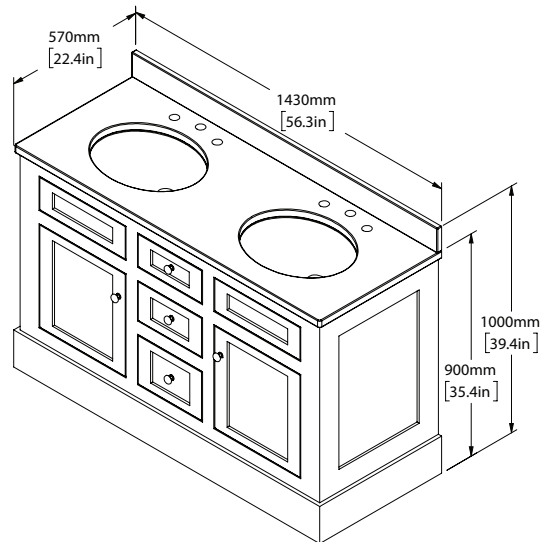
SCALE 1 : 20



SCALE 1 : 20



SCALE 1 : 20



SCALE 1 : 25