

CHARLESTON MID



OUR CHARLESTON VANITY TAKES ITS CUE FROM THE MODESTY AND DISCRETION OF THE SHAKER DESIGN SCHOOL TO PROVE ITS POINT QUIETLY YET FIRMLY.

AVAILABLE FINISHES

PORTER COLOURS	VPPC
CUSTOM COLOUR	VPCC

BASE COLOUR (MOHER)

AVAILABLE IN ALL PORTER STONE OPTIONS

DIMENSIONS

WIDTH [MM/IN]	1190/46.9
DEPTH [MM/IN]	575/22.6
HEIGHT [MM/IN]	910/35.8

WASTE OUT HEIGHT [MM/IN]	545/21.5
WATER IN HEIGHT [MM/IN]	645/25.4

DETAILS

DOUBLE DOOR CENTRAL STORAGE WITH INNER SHELF. ALL WITH SOFT CLOSING MECHANISMS. SOLID BIRCH FRAMED WITH POPLAR WOOD AND MULTI LAYER PANELS.

SWATCHES



PEAK MOHER (BASE) COMBE HOWTH CAUSEWAY COOLE

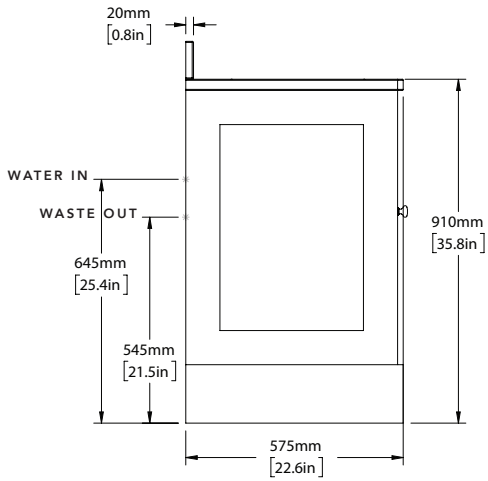


CUSTOM

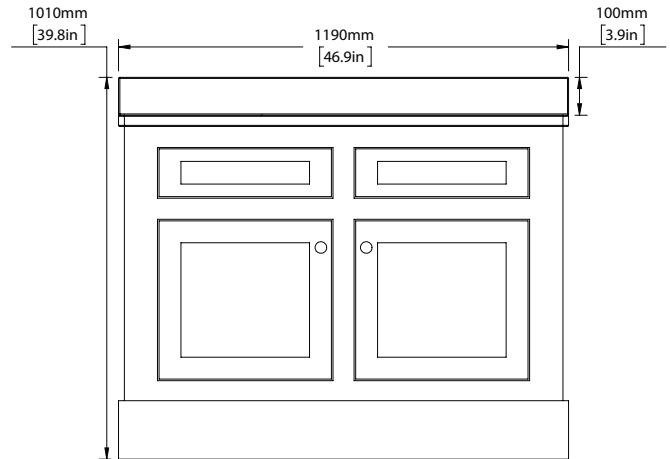
IMAGE REFERENCE

PAINTED MOHER
CARRARA MARBLE HONED
SILVER NICKEL BRASSWARE

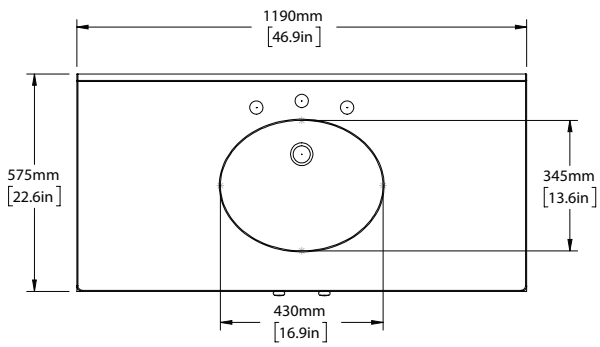
CHARLESTON MID



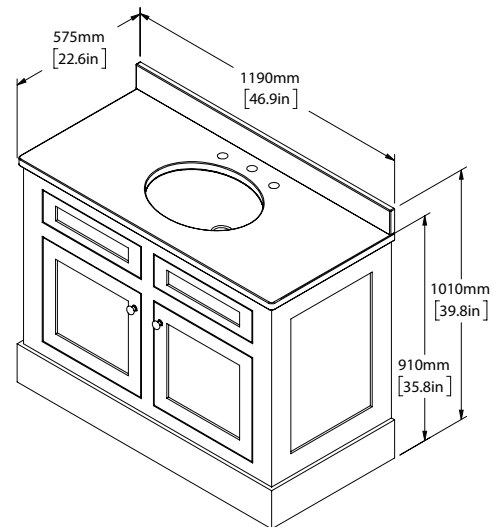
SCALE 1:20



SCALE 1:20



SCALE 1:20



SCALE 1:25