

## WARWICK MID



EXQUISITE SIMPLICITY DEFINES OUR WARWICK UNIT, EXEMPLIFIED BY THE SIDE 'PILLARS' THAT COMPLETE ITS FORM.

### AVAILABLE FINISHES

PORTER COLOURS	VPPC
CUSTOM COLOUR	VPCC

BASE COLOUR (MOHER)  
AVAILABLE IN ALL PORTER STONE OPTIONS

### DIMENSIONS

WIDTH [MM/IN]	1085/42.7
DEPTH [MM/IN]	595/23.4
HEIGHT [MM/IN]	900/35.4

WASTE OUT HEIGHT [MM/IN]	545/21.5
WATER IN HEIGHT [MM/IN]	645/25.4

### DETAILS

DOUBLE DOOR CENTRAL STORAGE WITH INNER SHELF. ALL WITH SOFT CLOSING MECHANISMS. SOLID BIRCH FRAMED WITH POPLAR WOOD AND MULTI LAYER PANELS.

### SWATCHES



PEAK MOHER (BASE) COMBE HOWTH CAUSEWAY COOLE

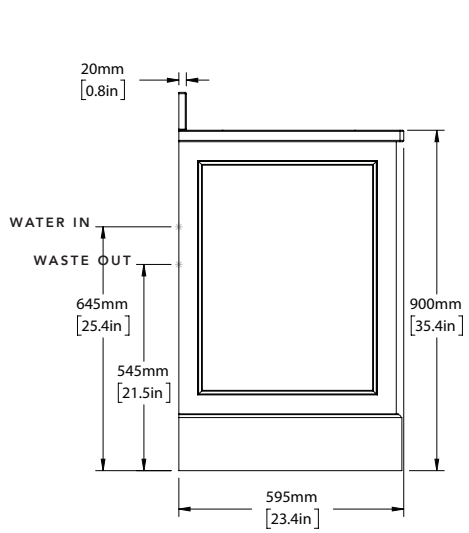


CUSTOM

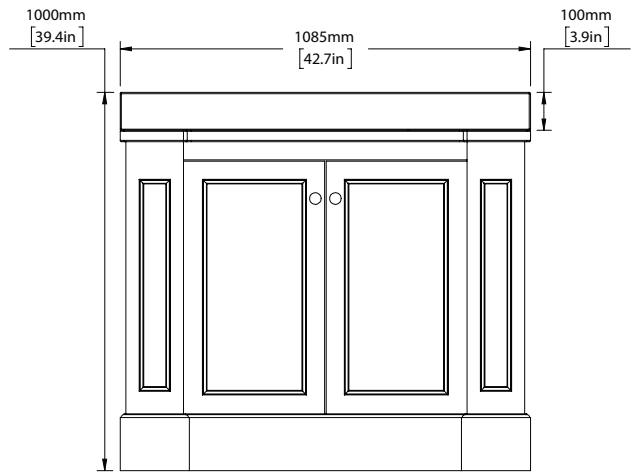
### IMAGE REFERENCE

PAINTED MOHER  
CARRARA MARBLE HONED  
SILVER NICKEL BRASSWARE

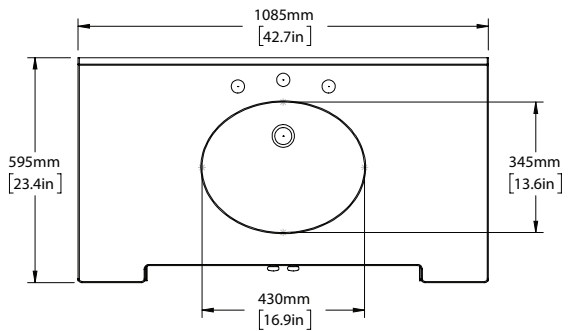
## WARWICK MID



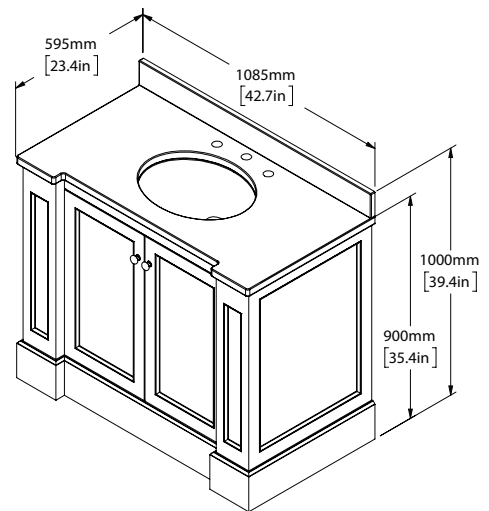
SCALE 1:20



SCALE 1:20



SCALE 1:20



SCALE 1:25