

WARWICK SINGLE



EXQUISITE SIMPLICITY DEFINES OUR WARWICK UNIT, EXEMPLIFIED BY THE SIDE 'PILLARS' THAT COMPLETE ITS FORM.

AVAILABLE FINISHES

PORTER COLOURS	VPPC
CUSTOM COLOUR	VPCC

BASE COLOUR (MOHER)
AVAILABLE IN ALL PORTER STONE OPTIONS

DIMENSIONS

WIDTH [MM/IN]	900/35.4
DEPTH [MM/IN]	595/23.4
HEIGHT [MM/IN]	900/35.4

WASTE OUT HEIGHT [MM/IN]	545/21.5
WATER IN HEIGHT [MM/IN]	645/25.4

DETAILS

DOUBLE DOOR CENTRAL STORAGE WITH INNER SHELF. ALL WITH SOFT CLOSING MECHANISMS. SOLID BIRCH FRAMED WITH POPLAR WOOD AND MULTI LAYER PANELS.

SWATCHES



PEAK MOHER (BASE) COMBE HOWTH CAUSEWAY COOLE

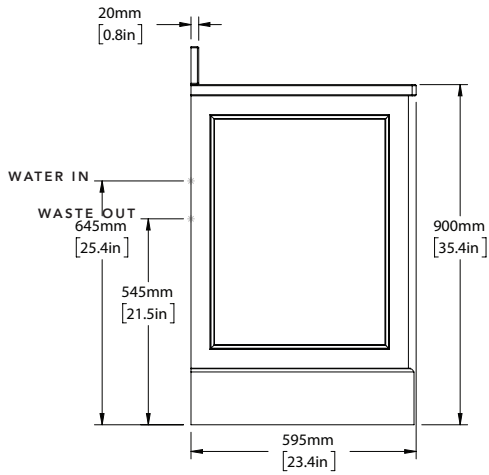


CUSTOM

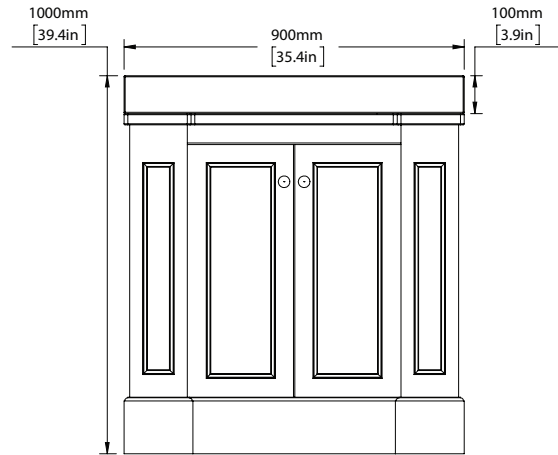
IMAGE REFERENCE

PAINTED MOHER
CARRARA MARBLE HONED
SILVER NICKEL BRASSWARE

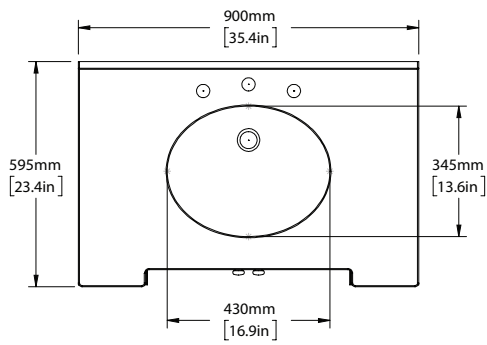
WARWICK SINGLE



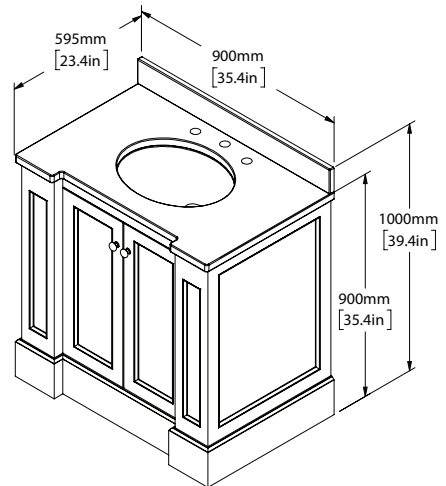
SCALE 1:20



SCALE 1:20



SCALE 1:20



SCALE 1:25