

## CARTER DOUBLE



THE CONSIDERED DESIGN OF THE CARTER DOUBLE VANITY MAKES A FEATURE OF ITS UTILITY, WITH OPEN SHELVING AND SHAKER-STYLE ACCENTS.

### AVAILABLE FINISHES

PORTER COLOURS	VPPC
CUSTOM COLOUR	VPCC

BASE COLOUR (MOHER)  
AVAILABLE IN ALL PORTER STONE OPTIONS

### DIMENSIONS

WIDTH [MM/IN]	1510/59.4
DEPTH [MM/IN]	575/22.6
HEIGHT [MM/IN]	900/35.4

WASTE OUT HEIGHT [MM/IN]	545/21.5
WATER IN HEIGHT [MM/IN]	645/25.4

### DETAILS

TWO CENTRAL DRAWERS. SINGLE DOOR STORAGE EITHER SIDE WITH LARGE OPEN SHELF BELOW. ALL WITH SOFT CLOSING MECHANISMS. SOLID BIRCH FRAMED WITH POPLAR WOOD AND MULTI LAYER PANELS.

### SWATCHES



PEAK MOHER (BASE) COMBE HOWTH CAUSEWAY COOLE

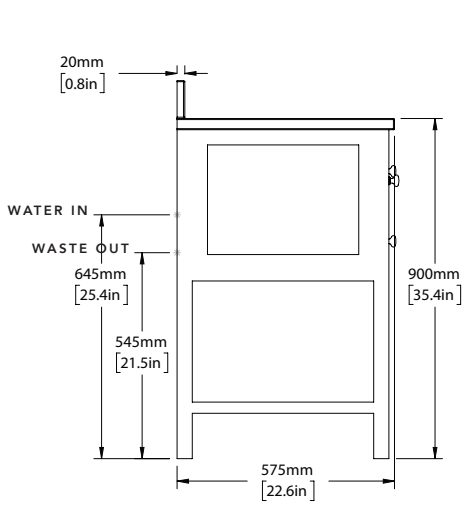


CUSTOM

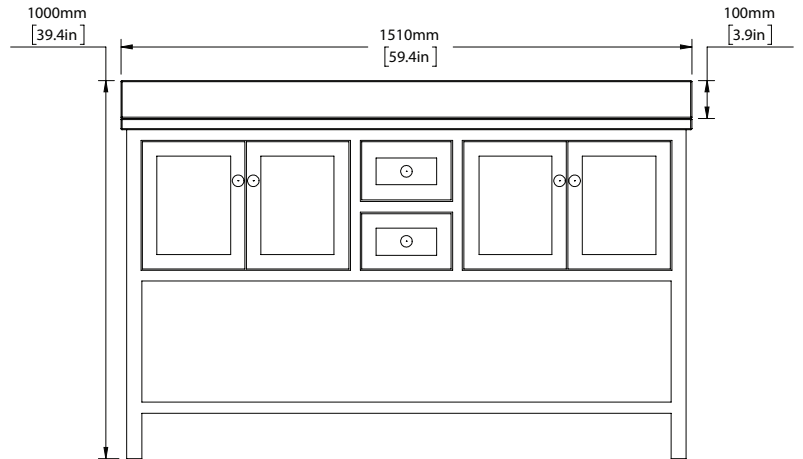
### IMAGE REFERENCE

PAINTED MOHER  
CARRARA MARBLE HONED  
SILVER NICKEL BRASSWARE

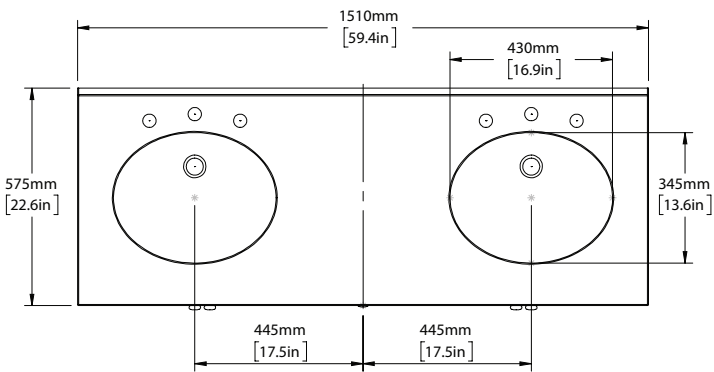
## CARTER DOUBLE



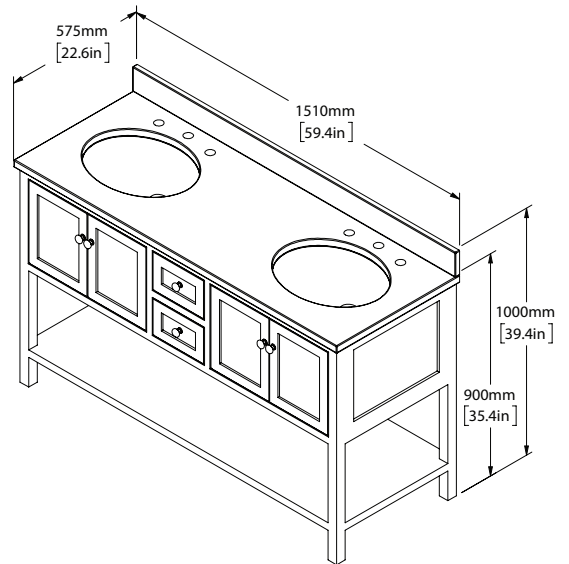
SCALE 1:20



SCALE 1:20



SCALE 1:20



SCALE 1:25