

CARTER SINGLE



THE CONSIDERED DESIGN OF THE CARTER DOUBLE VANITY MAKES A FEATURE OF ITS UTILITY, WITH OPEN SHELVING AND SHAKER-STYLE ACCENTS.

AVAILABLE FINISHES

PORTER COLOURS	VPPC
CUSTOM COLOUR	VPCC

BASE COLOUR (MOHER)

AVAILABLE IN ALL PORTER STONE OPTIONS

DIMENSIONS

WIDTH [MM/IN]	660/26.0
DEPTH [MM/IN]	575/22.6
HEIGHT [MM/IN]	900/35.4

WASTE OUT HEIGHT [MM/IN]	545/21.5
WATER IN HEIGHT [MM/IN]	645/25.4

DETAILS

DOUBLE DOOR CENTRAL STORAGE WITH OPEN SHELF BELOW. ALL WITH SOFT CLOSING MECHANISMS. SOLID BIRCH FRAMED WITH POPLAR WOOD AND MULTI LAYER PANELS.

SWATCHES



PEAK MOHER (BASE) COMBE HOWTH CAUSEWAY COOLE

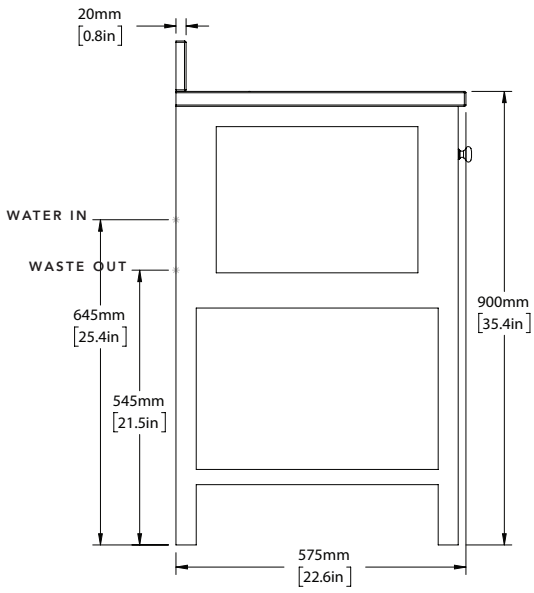


CUSTOM

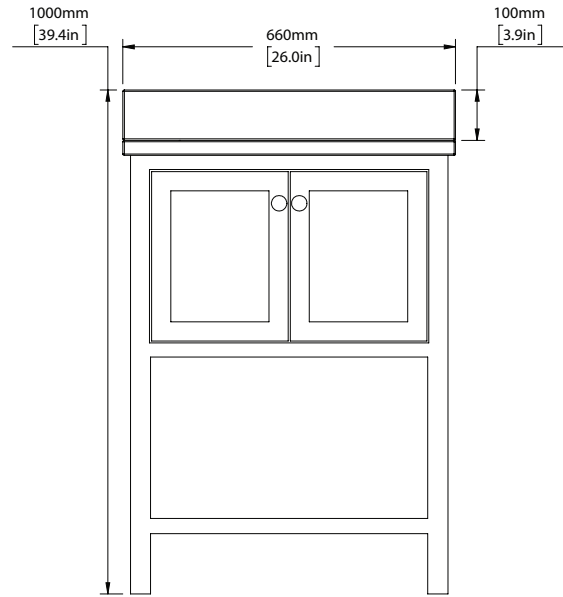
IMAGE REFERENCE

PAINTED MOHER
CARRARA MARBLE HONED
SILVER NICKEL BRASSWARE

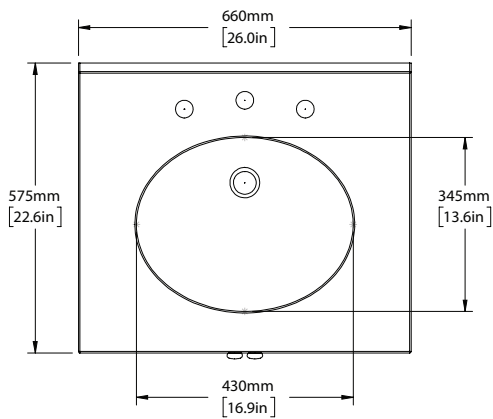
CARTER SINGLE



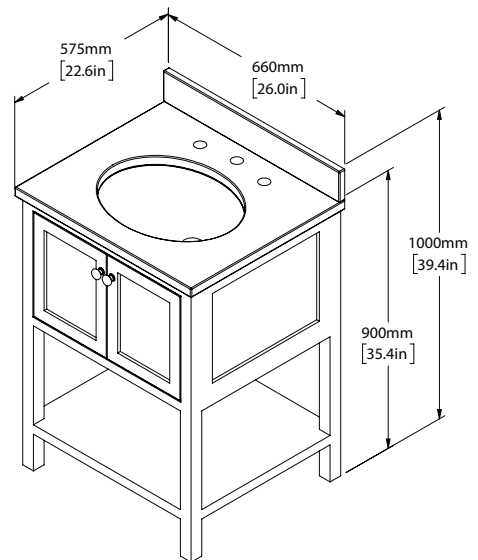
SCALE 1:15



SCALE 1:15



SCALE 1:15



SCALE 1:20