

CAVENDISH BLOCK DOUBLE



THIS IS THE PORTER EXECUTION OF A CLASSIC WASHSTAND. VISIBLE CRAFTSMANSHIP CONTRASTS WITH THE MODERNITY OF A TIP-MATIC DRAWER FOR DISCREET STORAGE.

AVAILABLE FINISHES

PORTER COLOURS	VPPC
CUSTOM COLOUR	VPCC

BASE COLOUR (MOHER)
AVAILABLE IN ALL PORTER STONE OPTIONS

DIMENSIONS

WIDTH [MM/IN]	1360/53.5
DEPTH [MM/IN]	520/20.5
HEIGHT [MM/IN]	910/35.8

WASTE OUT HEIGHT [MM/IN]	515/20.3
WATER IN HEIGHT [MM/IN]	1010/39.8

DETAILS

TWO CENTRAL TOUCH OPEN DRAWERS WITH LARGE OPEN SHELF BELOW. ALL WITH SOFT CLOSING MECHANISMS. SOLID BIRCH FRAMED WITH POPLAR WOOD AND MULTI LAYER PANELS.

SWATCHES



PEAK MOHER (BASE) COMBE HOWTH CAUSEWAY COOLE

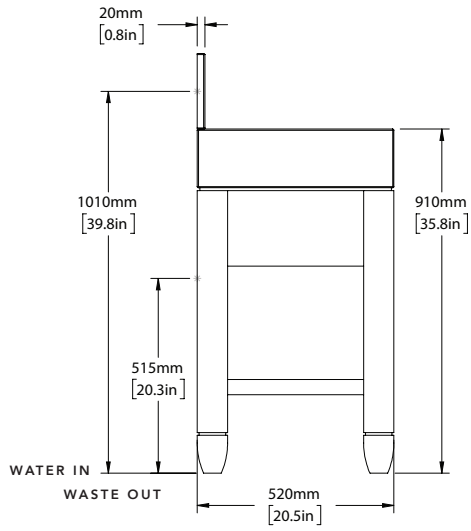


CUSTOM

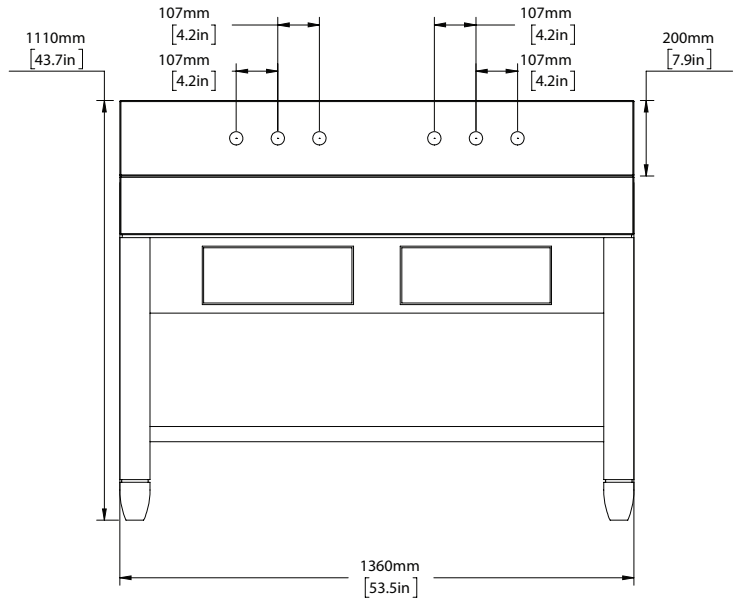
IMAGE REFERENCE

PAINTED MOHER
CARRARA MARBLE HONED
SILVER NICKEL BRASSWARE

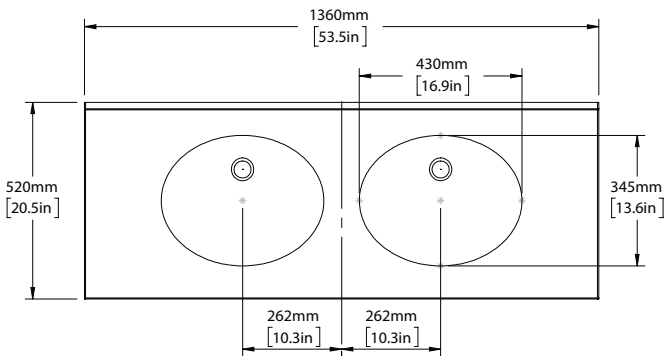
CAVENDISH BLOCK DOUBLE



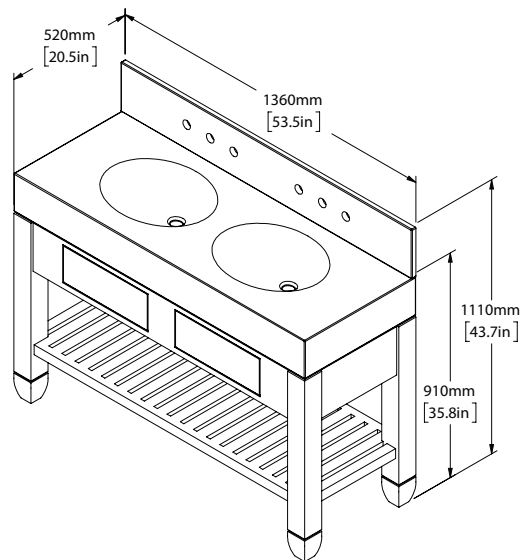
SCALE 1:20



SCALE 1:20



SCALE 1:20



SCALE 1:25