

## CAVENDISH BLOCK MID



THIS IS THE PORTER EXECUTION OF A CLASSIC WASHSTAND. VISIBLE CRAFTSMANSHIP CONTRASTS WITH THE MODERNITY OF A TIP-MATIC DRAWER FOR DISCREET STORAGE.

### AVAILABLE FINISHES

PORTER COLOURS	VPPC
CUSTOM COLOUR	VPCC

### BASE COLOUR (MOHER)

AVAILABLE IN ALL PORTER STONE OPTIONS

### DIMENSIONS

WIDTH [MM/IN]	870/34.3
DEPTH [MM/IN]	460/18.1
HEIGHT [MM/IN]	910/35.8

WASTE OUT HEIGHT [MM/IN]	515/20.3
WATER IN HEIGHT [MM/IN]	1010/39.8

### DETAILS

LARGE CENTRAL TOUCH OPEN DRAWER WITH LARGE OPEN SHELF BELOW. ALL WITH SOFT CLOSING MECHANISMS. SOLID BIRCH FRAMED WITH POPLAR WOOD AND MULTI LAYER PANELS.

### SWATCHES



PEAK MOHER (BASE) COMBE HOWTH CAUSEWAY COOLE

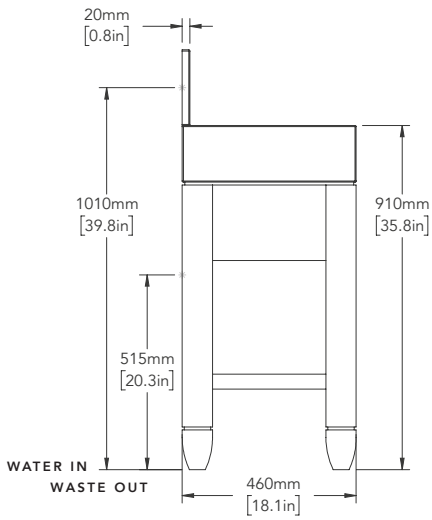


CUSTOM

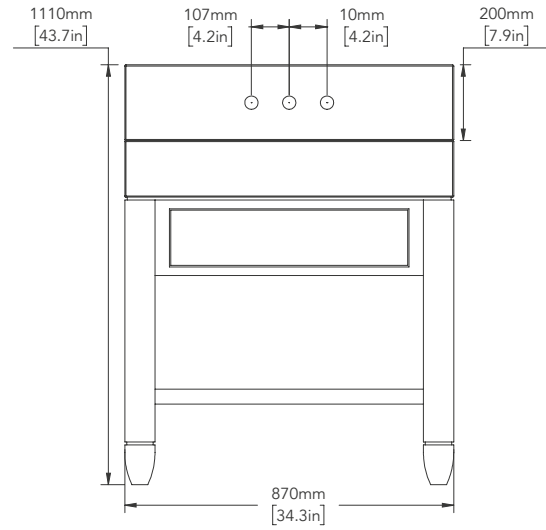
### IMAGE REFERENCE

PAINTED MOHER  
CARRARA MARBLE HONED  
SILVER NICKEL BRASSWARE

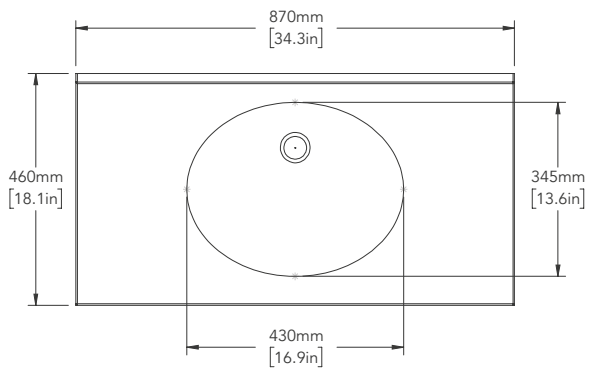
## CAVENDISH BLOCK MID



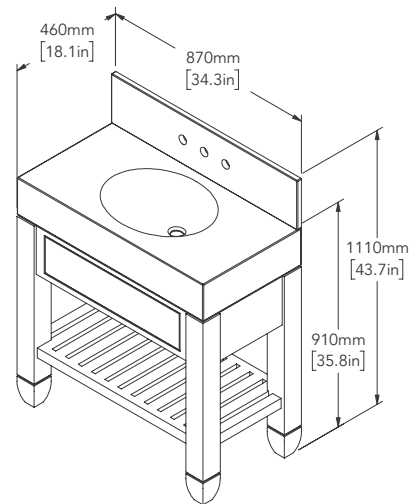
SCALE 1:20



SCALE 1:20



SCALE 1:15



SCALE 1:25