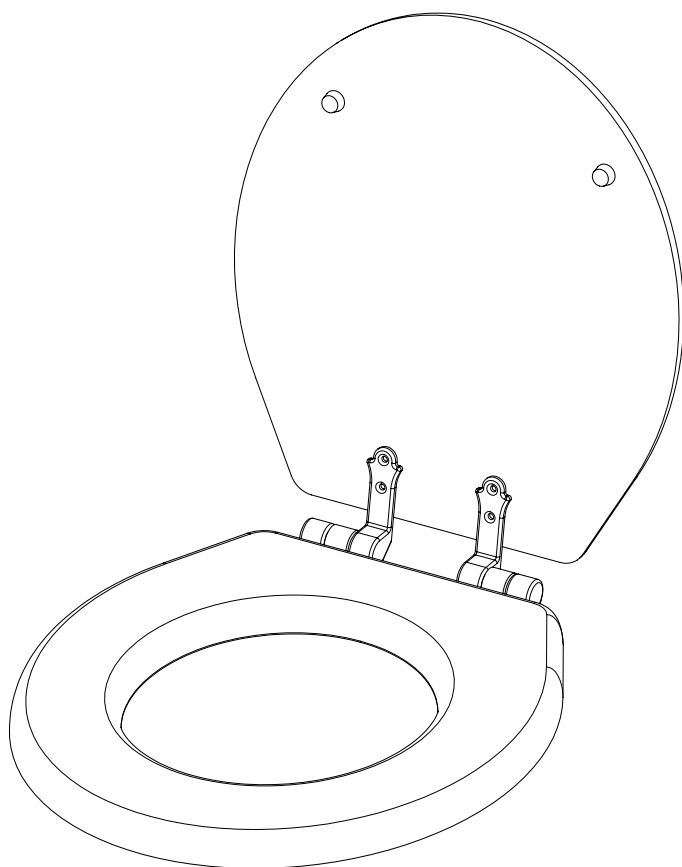


PORTER

WC SEAT









WC705

	MM	"
Width	392	15.4
Height (open)	450	17.7
Depth (open)	550	21.7


FINISHES

We offer custom finishes across all material types for a further fee dependent upon the custom finish required.





PAINT

- Peak 
- Moher 
- Combe 
- Howth 
- Causeway 
- Coole 

WOOD

- Light oak 
- Mid oak 
- Dark oak 

METAL

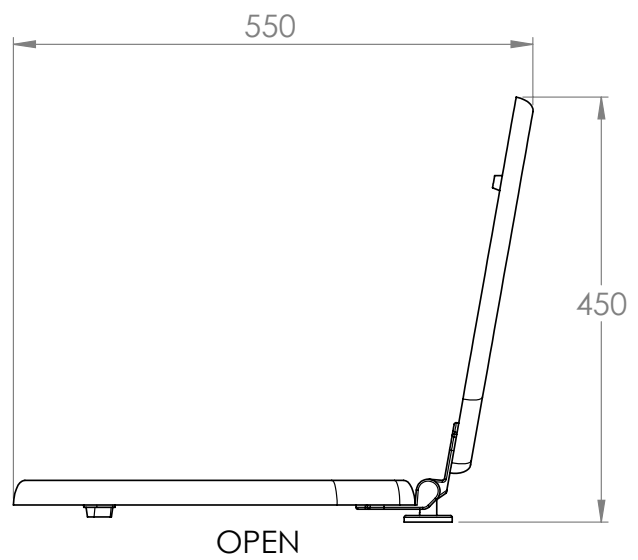
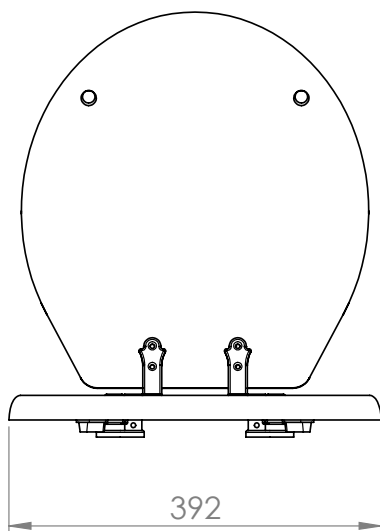
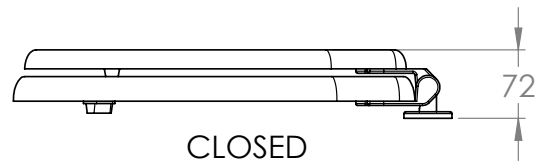
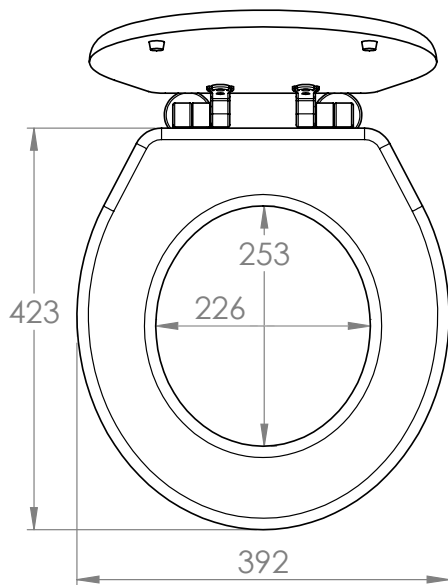
- Polished chrome 
- Silver nickel 
- Polished brass 
- Antique brass 

PORTER

WC SEAT

WC705

PLAN AND DIMENSIONS

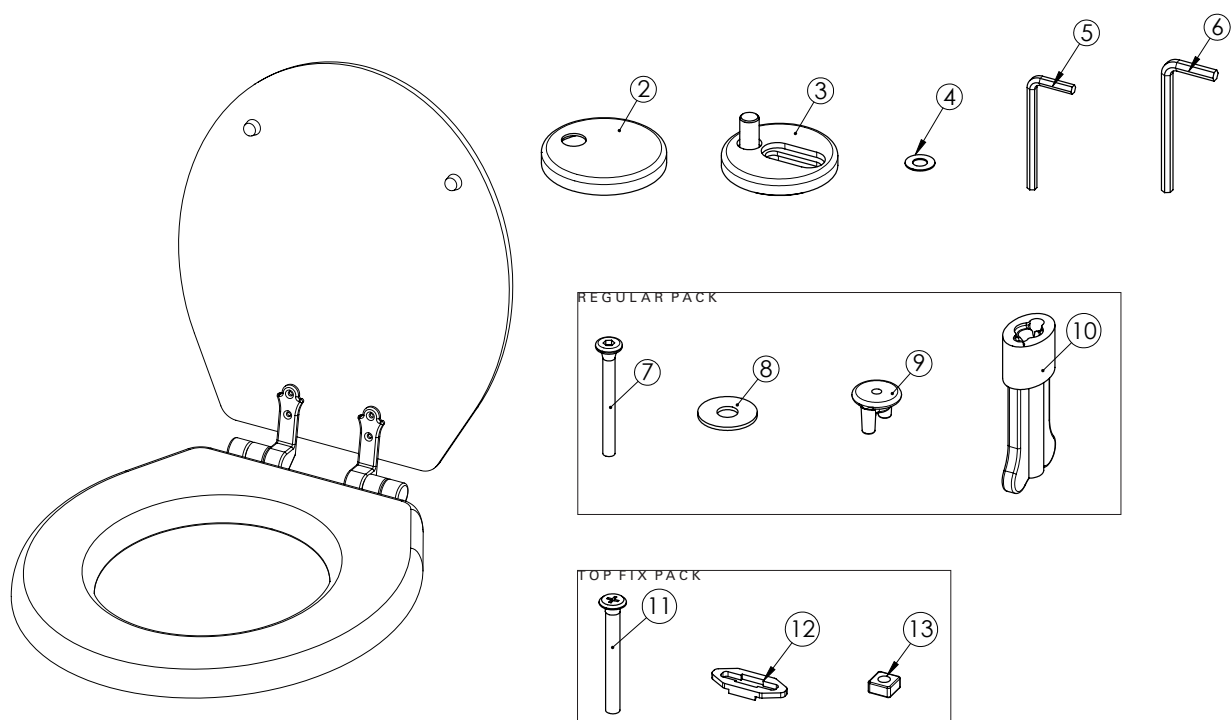


PORTER

WC SEAT

WC705

PACKAGE COMPONENTS



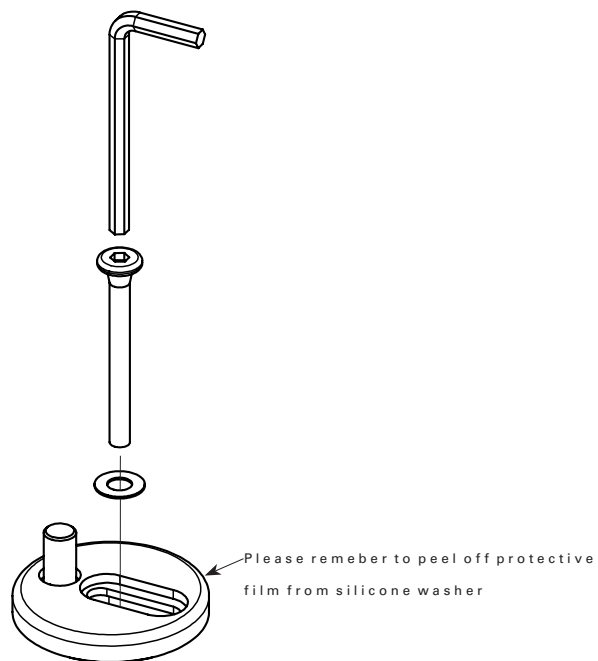
ITEM	PART	QNTY
1	TOILET SEAT	1
2	TOP SHROUD	2
3	FIXING BRACKET	2
4	FIBRE WASHER	2
5	SMALL ALLEN KEY	1
6	LARGE ALLEN KEY	1
7	SCREW M5 (Regular pack only)	2
8	RUBBER WASHER (Regular pack only)	2
9	NUT (Regular pack only)	2
10	TIGHTENING TOOL (regular pack only)	1
11	SCREW M6 (Top fix pack only)	2
12	METAL WASHER (Top fix pack only)	2
13	SQUARE NUT (Top fix pack only)	2

PORTER

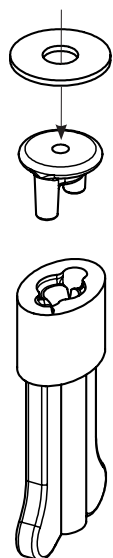
WC SEAT

WC705

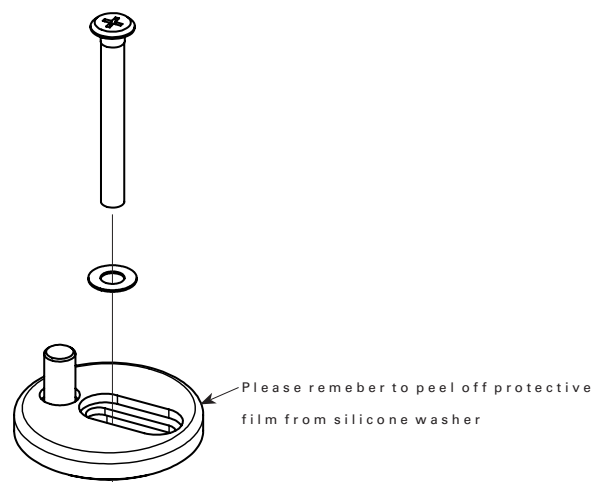
ASSEMBLY INSTRUCTIONS (REGULAR PACK)



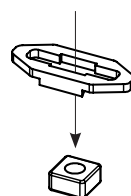
CERAMIC TOILET



ASSEMBLY INSTRUCTIONS (TOP FIX PACK)



CERAMIC TOILET



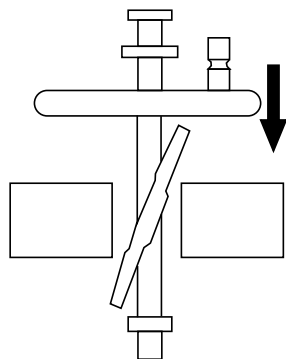
INSTALL THE FIXING AS SHOWN ABOVE. DO NOT TIGHTEN FULLY AT THIS POINT. ADJUSTABILITY IS REQUIRED AT THIS STAGE IN ORDER TO POSITION THE SEAT IN THE FOLLOWING STEPS.

PORTER

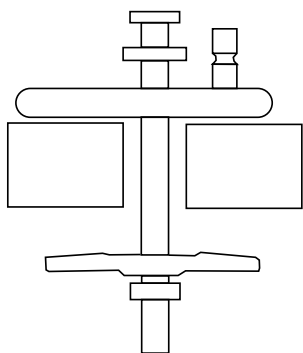
WC SEAT

WC705

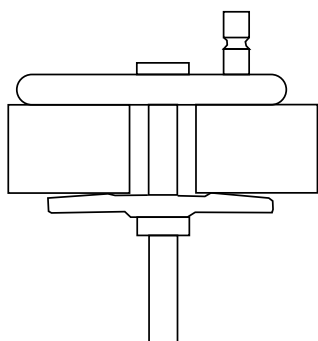
ASSEMBLY INSTRUCTIONS : How to install the seat using th metal top fix washer



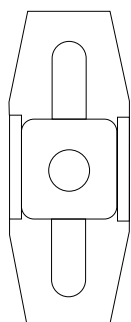
Fix the screw through the fibre washer, though the fixing bracket.
Move the screw through the ceramic hole by putting the metal top
fix washer at an angle.



Begin to screw the metal top fix washer and square nut up screw



Tighten the screw to secure the top fixing bracket to the pan.



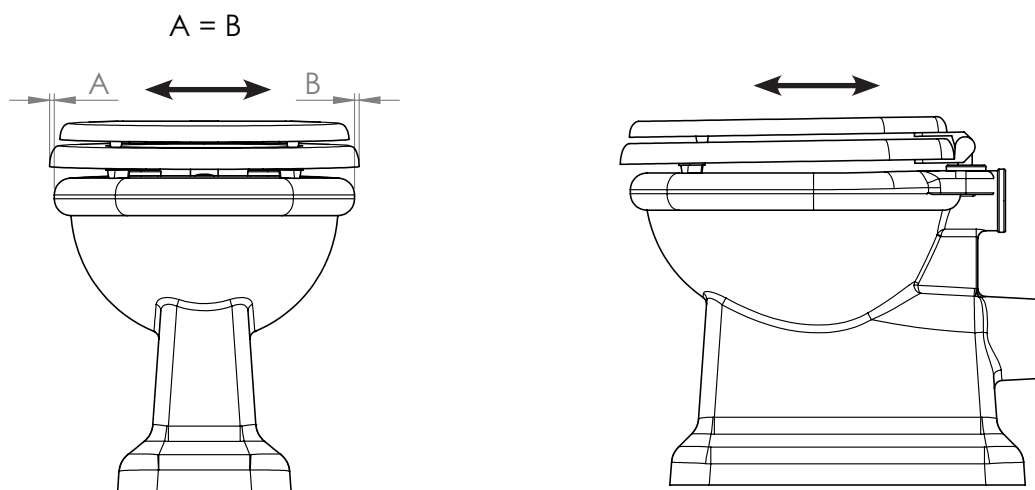
Bottom view of top fix metal washer. Once screwed tightly the
nut will sit inside the groove on the washer

PORTER

WC SEAT

WC705

ASSEMBLY INSTRUCTIONS



Need to make sure that the area is clean and free from grease.

Place the seat onto the fixings and adjust until the seat is located in a satisfactory position

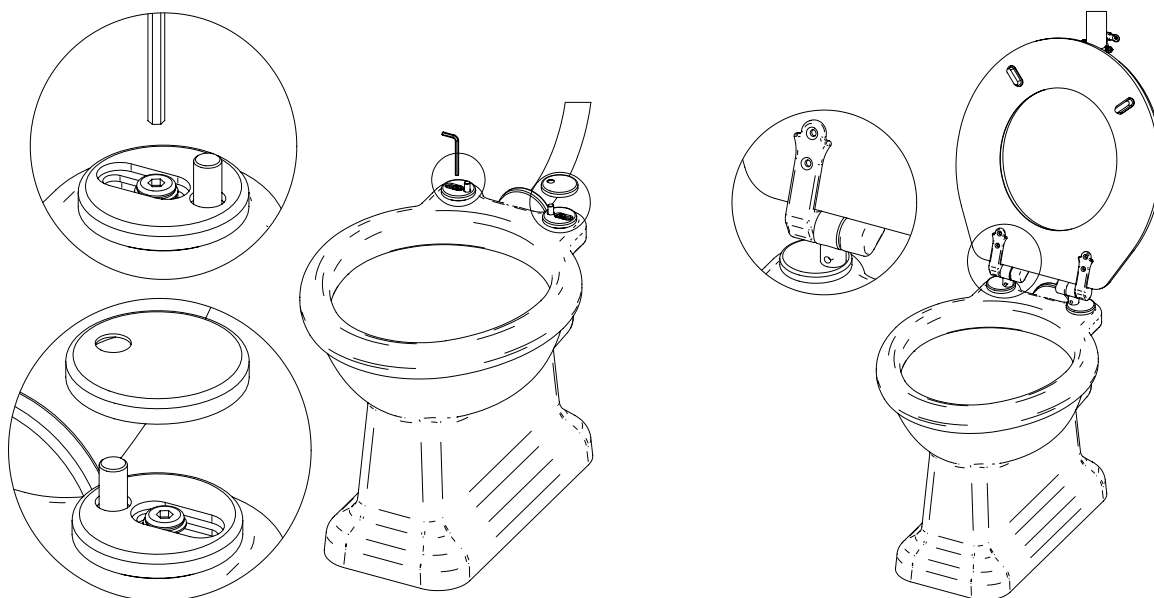
Carefully remove the seat, tighten the screw fixings & replace the cap cover.

NOTE : it is important to tighten the fixings fully.

.When installing turn the hex key until it is not possible to tighten any further.

Failure to tighten fully may result in hinge movement and eventual hinge failure over a period of prolonged usage.

Replace the seat and using the small hex key tighten the grub screws to fully secure the seat into position.



P O R T E R

WC SEAT

WC705

DELIVERY

For delivery of your porter products, access for a small truck may be required. If this is not possible, please inform your porter representative prior to delivery. Once your product has been delivered to your door by our chosen transport partner, it must be carried into your home and fitted by your chosen builder, plumber, contractor etc. It is not the delivery driver's responsibility to carry the product inside the home, but at his/her discrepancy they may assist if the unit is being placed in a garage or similar for storage etc.

When your product is being delivered, please take the time to check over all items by removing the outer packaging or by opening the delivery box by lifting the lid off followed by the sides and finally the rest of the packaging. Any signs of damage during transport should be reported immediately.

HANDLING

For safe handling and manoeuvring of all large products, marble/stone tops, we recommend that 2 people are used to move and lift at all times. Carry and store the marble/stone top and backsplash on its edge at all times. Full pre-plumbing dimensions and instructions are available to download from our website for your chosen unit at: www.porterbathroom.com

- i. When manoeuvring porter's vanities or baths, the marble/stone top will not be permanently fixed to the unit or bath at this point and should be lifted carefully off by 2 persons and placed carefully aside from the unit.
- ii. The main base can then be carried into the bathroom and fitted into position.
- iii. Before installing the marble onto the base, please ensure all pipework is in its correct position, drilling any necessary holes in the rear of the unit wall.
- iv. Fix the unit to the wall on both sides through the guide holes provided.
- v. When fitting the top, place it on its edge at the rear of the unit before lowering the front into position. If needed, to remove the top, lift the front of the marble/stone top up first until vertical and carry the top away, always keeping the top vertical.
- vi. When fitting the marble top on permanently, we recommend using a clear natural silicone to bond it to the base, using the same natural silicone to bond the backsplash to the wall.

P O R T E R

WC SEAT

WC705

PRODUCT CARE

Metal

For heated Bellmax and towel rail, ensure the heating is OFF before any maintenance.

Chrome and nickel finish, it is important that you clean the metal only with a solution of soapy water and a soft dry cloth, and it is advisable not to use any form of chemical abrasive that is likely to damage the surface.

Brass only is a raw finish and can be left to mature ageing gracefully or if you wish for it to remain to a bright lustre you will be able to use a relevant brass polish of your choice, please refer to the polish manufacturers recommendations.

Wood

i. For all base units and cabinetry in both oak & painted, we recommend occasional cleaning when necessary with a soft damp cloth and some mild soap if required. Avoid Using any strong chemicals which may dull the surface over time.

Important The below room humidity levels and room temperature parameters must be adhered to, and a humidifier or de-humidifier should be used if required.

Humidity : min. 45% – max. 60%

Room temperature : 15 – 22 degrees Celsius