

PORTER

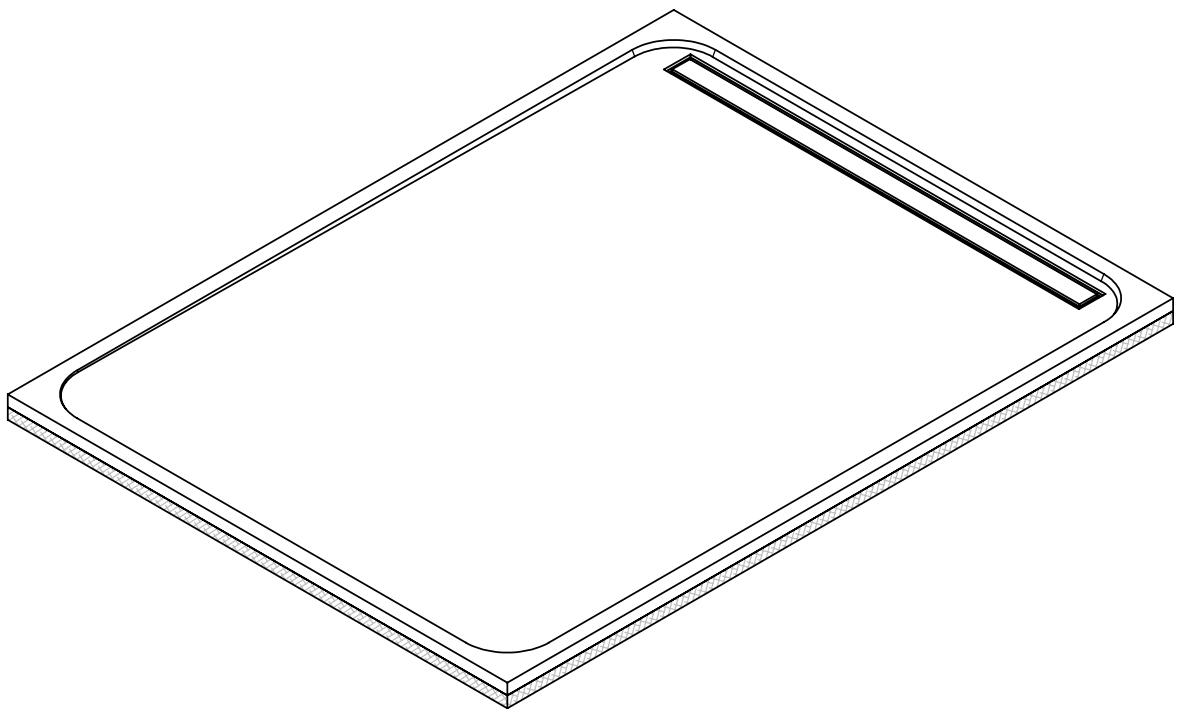
MARBLE SHOWER TRAY

	MM	"
Length	Custom	
Width	Custom	
Thickness	40	1.6

FINISHES

Our complete range of marble and limestone is available with this product.

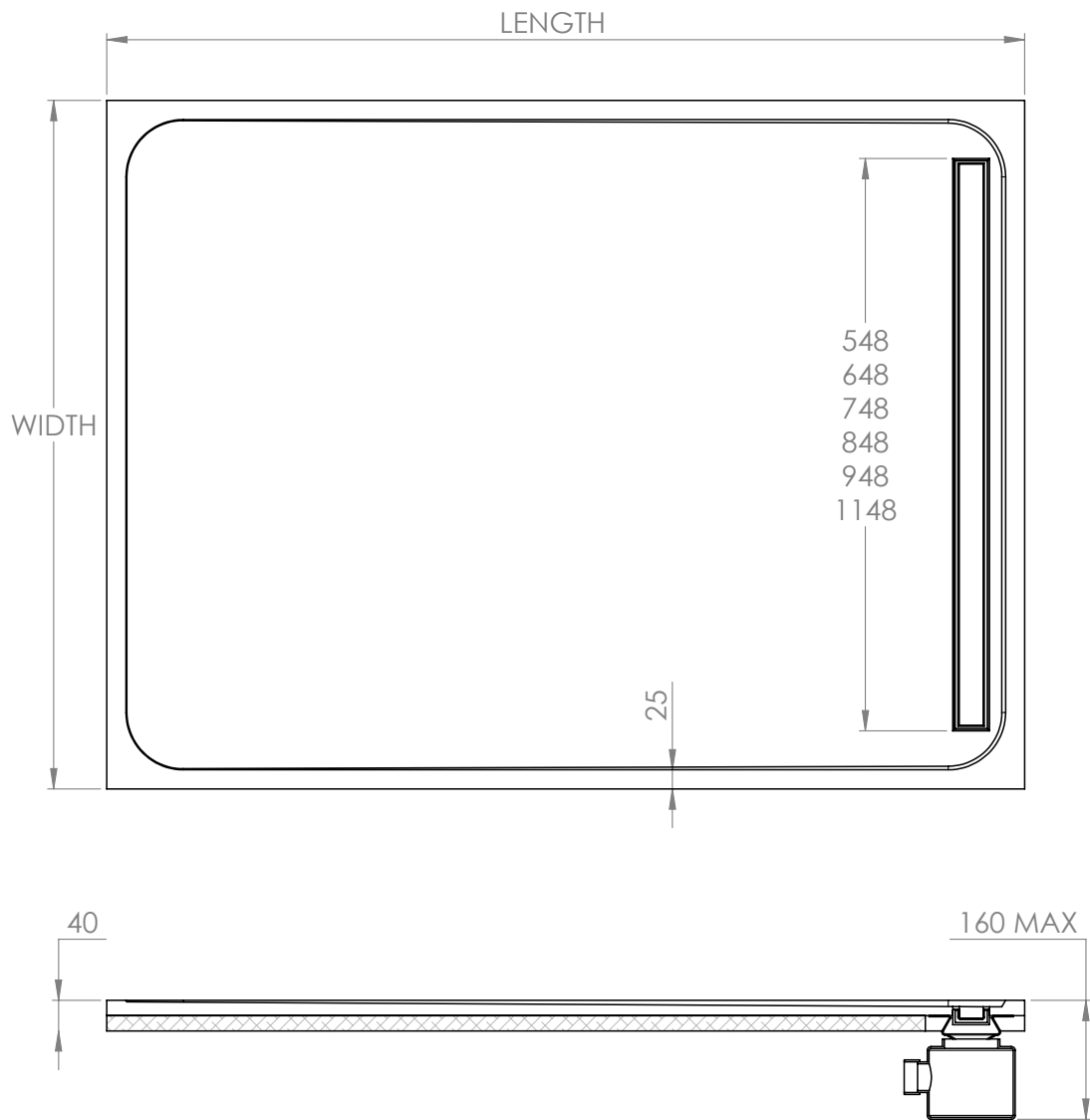
We offer custom finishes across all material types for a further fee dependent upon the custom finish required.



PORTER

MARBLE SHOWER TRAY

PLAN AND DIMENSIONS

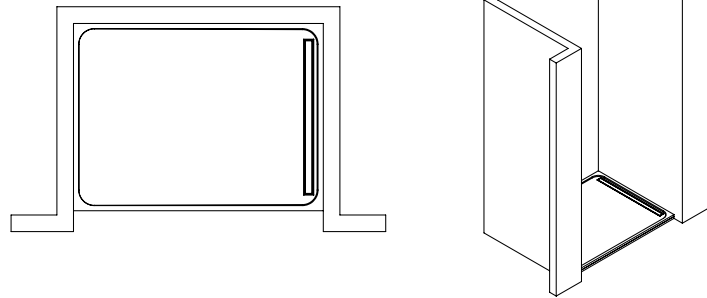


PORTER

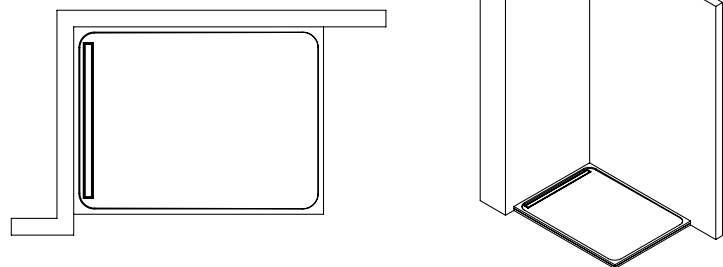
MARBLE SHOWER TRAY

STANDARD LAYOUTS

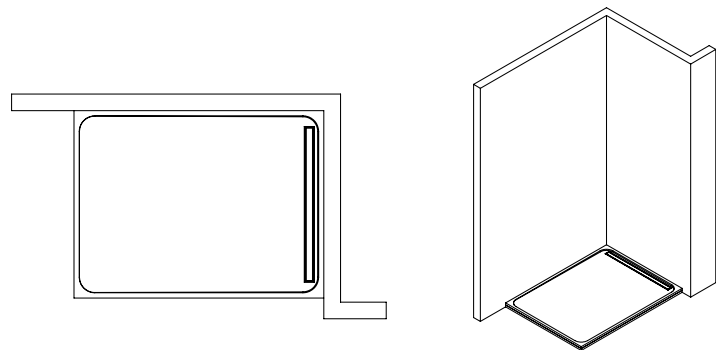
LAYOUT 1 : WALL-WALL



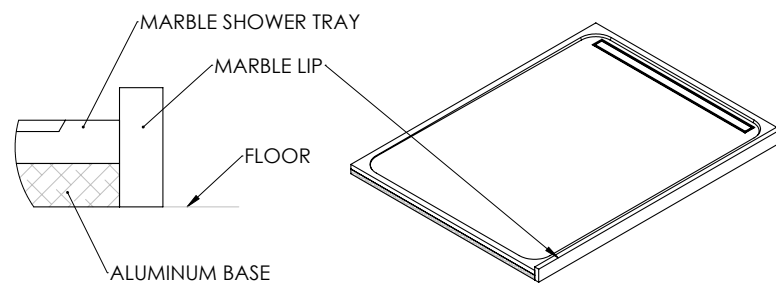
LAYOUT 2 : WALL-LH



LAYOUT 3 : WALL-RH



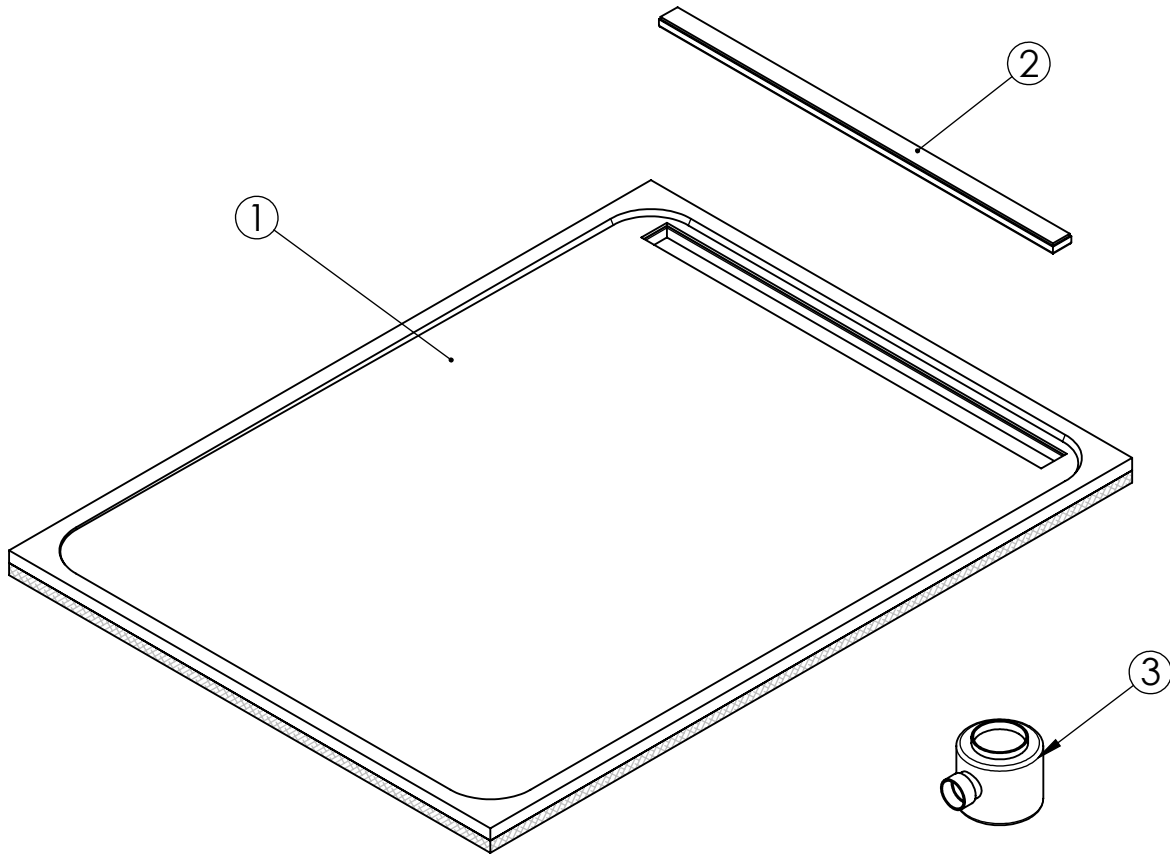
ADDITIONAL LIP DETAIL (Option applicatble to all layout)



PORTER

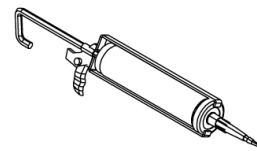
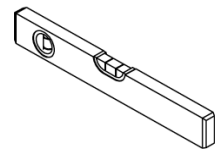
MARBLE SHOWER TRAY

PACKAGE COMPONENTS

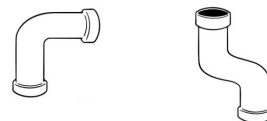


ITEM	PART	QNTY
1	SHOWER TRAY	1
2	COVER PLATE	1
3	WATER SEAL TRAP	1

TOOLS REQUIRED



ADDITIONAL PIPES REQUIRED



P O R T E R

MARBLE SHOWER TRAY

DELIVERY

For delivery of your porter products, access for a small truck may be required. If this is not possible, please inform your porter representative prior to delivery. Once your product has been delivered to your door by our chosen transport partner, it must be carried into your home and fitted by your chosen builder, plumber, contractor etc. It is not the delivery driver's responsibility to carry the product inside the home, but at his/her discrepancy they may assist if the unit is being placed in a garage or similar for storage etc.

When your product is being delivered, please take the time to check over all items by removing the outer packaging or by opening the delivery box by lifting the lid off followed by the sides and finally the rest of the packaging. Any signs of damage during transport should be reported immediately.

HANDLING

For safe handling and manoeuvring of all large products, marble/stone tops, we recommend that 2 people are used to move and lift at all times. Carry and store the marble/stone top and backsplash on its edge at all times. Full pre-plumbing dimensions and instructions are available to download from our website for your chosen unit at:
www.porterbathroom.com

- i. When manoeuvring porter's vanities or baths, the marble/stone top will not be permanently fixed to the unit or bath at this point and should be lifted carefully off by 2 persons and placed carefully aside from the unit.
- ii. The main base can then be carried into the bathroom and fitted into position.
- iii. Before installing the marble onto the base, please ensure all pipework is in its correct position, drilling any necessary holes in the rear of the unit wall.
- iv. Fix the unit to the wall on both sides through the guide holes provided.
- v. When fitting the top, place it on its edge at the rear of the unit before lowering the front into position. If needed, to remove the top, lift the front of the marble/stone top up first until vertical and carry the top away, always keeping the top vertical.
- vi. When fitting the marble top on permanently, we recommend using a clear natural silicone to bond it to the base, using the same natural silicone to bond the backsplash to the wall.

PORTER

MARBLE SHOWER TRAY

PRODUCT CARE

Stone

Care & protection for your work surface will depend on the type of material you have chosen. Porter natural soap cleaner can be used on all surfaces for general weekly cleaning of your surface. This should be sprayed on and wipe with a clean cloth, removing any residue and leaving a clean surface. To keep the surface fully sealed, we recommend applying a coat of sealer annually. The following procedures should be followed:

Natural Stone

- i. Thoroughly clean the surface, allowing it to dry before applying a coat of sealer by pouring it directly onto the surface and spreading it evenly over the marble / natural stone using a clean white cloth.
- ii. The sealer should be allowed to penetrate the marble for approximately 5 minutes before wiping any excess sealer off the top.
- iii. The marble / natural stone surfaces should not be exposed or splashed with water for a further 12 hours to allow the sealer to fully dry.

Important Avoid using any abrasive cloths, acidic or detergent chemicals as these will dull the surface.

Artificial Stone

- i. All surfaces of this type can be cleaned using porter natural soap cleaner.
- ii. These surfaces do not require sealing annually as they are a non-porous material.

Important Avoid using any abrasive cloths, acidic or detergent chemicals as these will dull the surface.