

PORTER

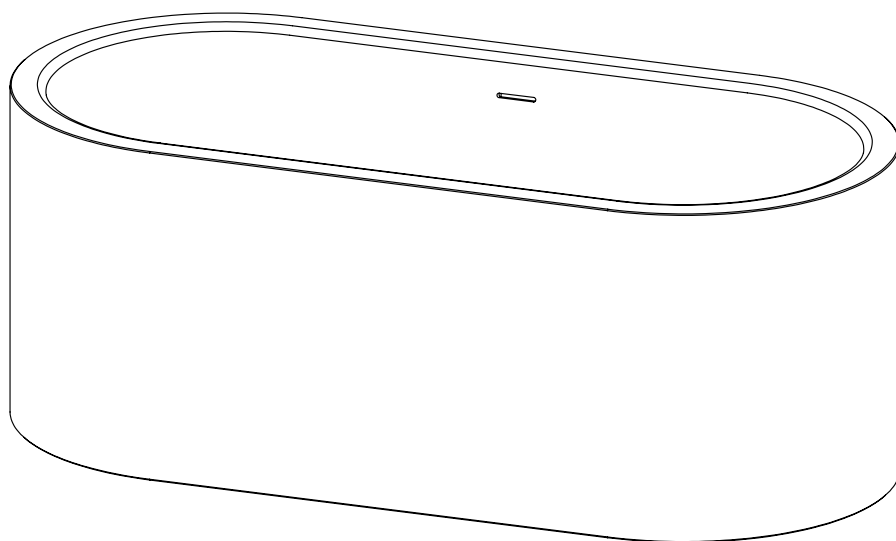
PIPERS MOON BATH

BP240

	MM	"
Length	1600	63
Width	750	29.5
Height	605	23.8

FINISH

White resin

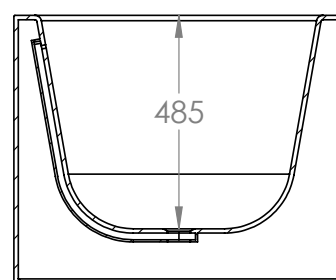
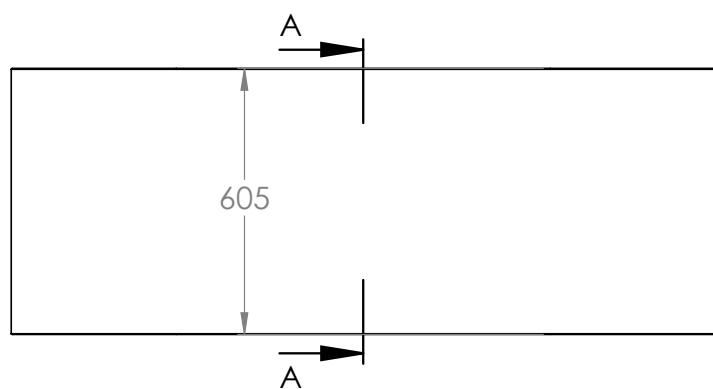
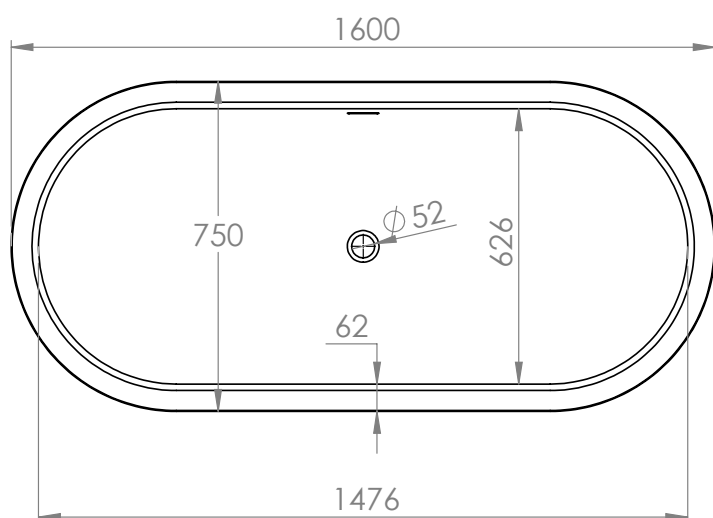


PORTER

PIPERS MOON BATH

BP240

PLAN AND DIMENSIONS



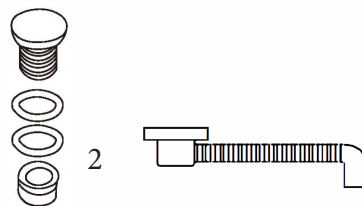
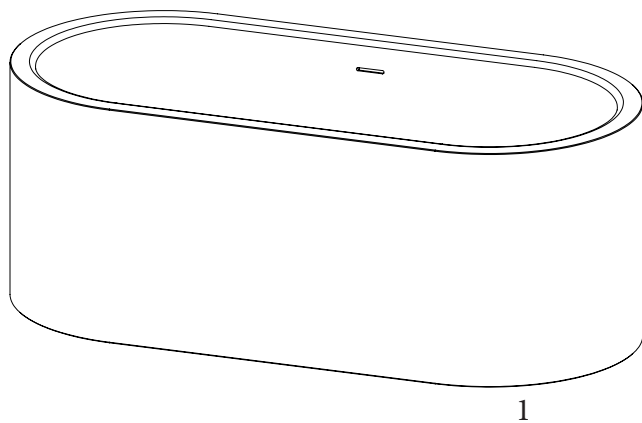
SECTION A-A

PORTER

PIPERS MOON BATH

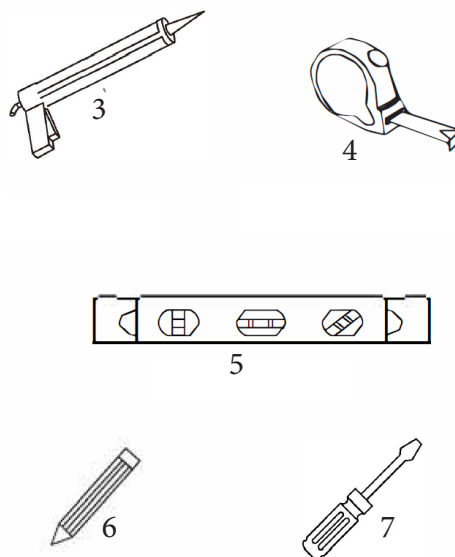
BP240

PACKAGE COMPONENTS



ITEM	PART	QNTY
1	PIPERS MOON BATH	1
2	DRAINER DEVICE	1
3	SILICONE	1
4	TAPE MEASURE	1
5	LEVEL RULER	1
6	PENCIL	1
7	SCREWDRIVER	1

TOOLS REQUIRED



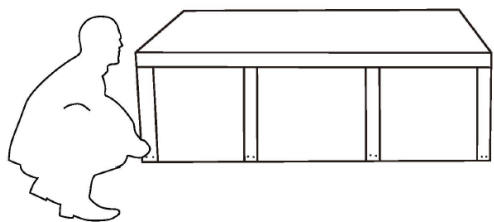
PORTER

PIPERS MOON BATH

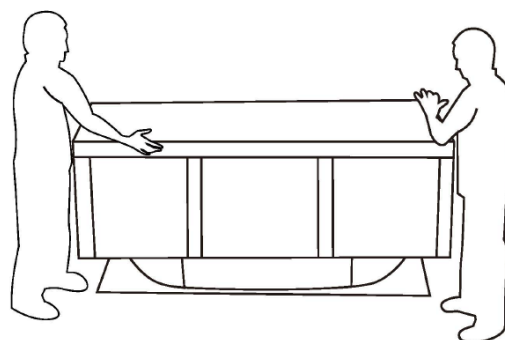
BP240

HOW TO UNPACK AND MOVE

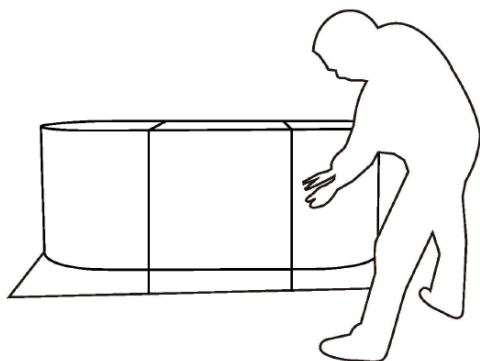
Unscrew the self-tapping screw at the wooden box bottom.



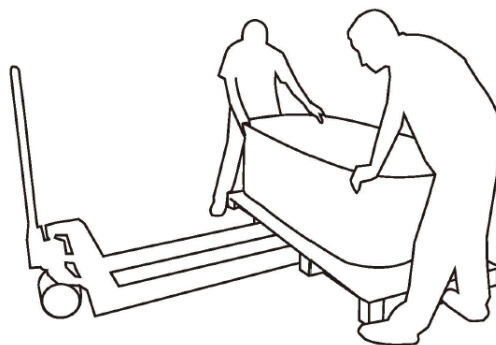
Lift the top cover of the wooden box.



Cut off the belt and remove the protective film, be careful not to scratch the product.



Move the wooden pallet to the forklift manually, and carefully remove the bathtub from the wooden pallet.



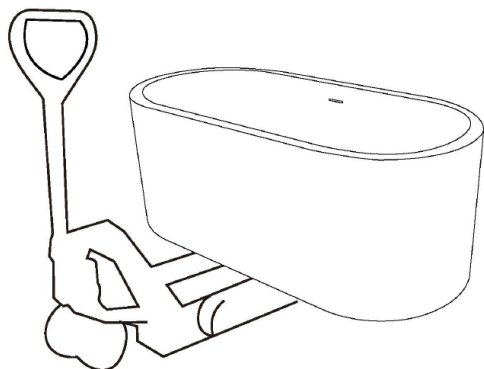
PORTER

PIPERS MOON BATH

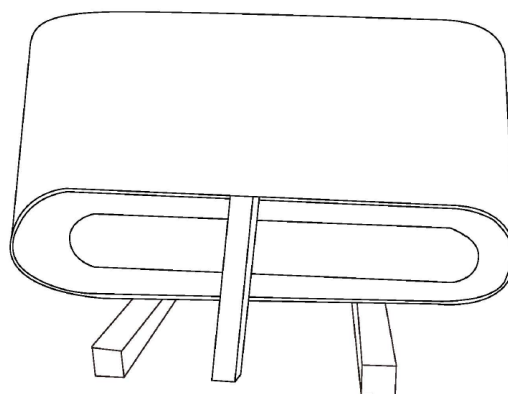
BP240

HOW TO UNPACK AND MOVE

Use a forklift to move the bathtub, and pay attention to the installation surface.



Pad a wooden strip at the bottom of the bathtub to prevent scratches, tilt the bathtub smoothly, and install the bathtub drain.



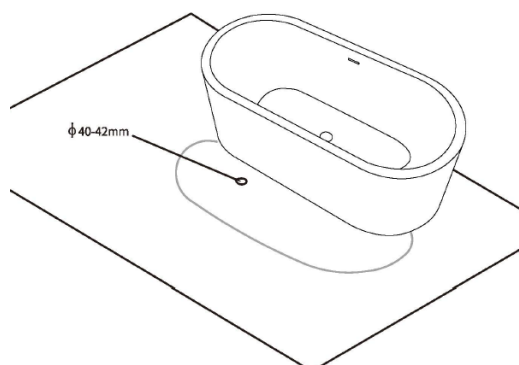
PORTER

PIPERS MOON BATH

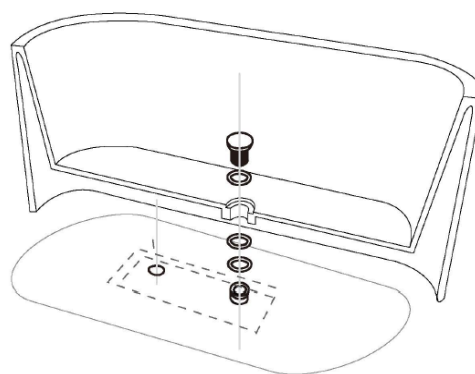
BP240

ASSEMBLY INSTRUCTIONS

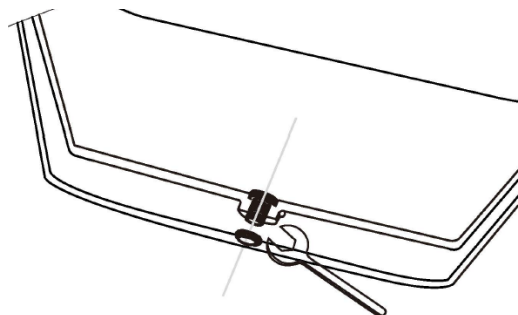
1. Confirm the installation position of the bathtub first, and see if the height between the bottom of the bathtub and the ground can be placed drainage device (the height needs to be at least 65mm).



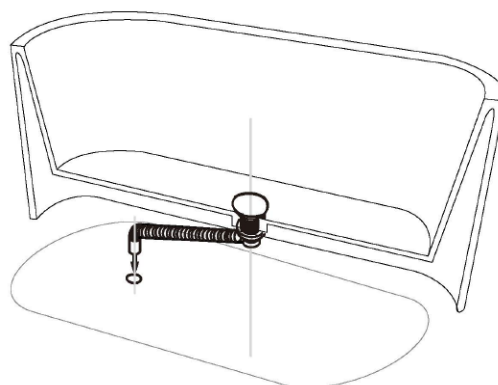
2. If the height is not enough, you can raise the height of the bathtub installation plane, or dig a sink with a depth of about 50mm on the ground to place the drainage device.



3. Pipe into the drainage hole on the ground.



4. When installing the drainage pipe, connect one end to the bottom of the bounce sewer, and insert one end of the drainage pipe into the drainage hole on the ground.



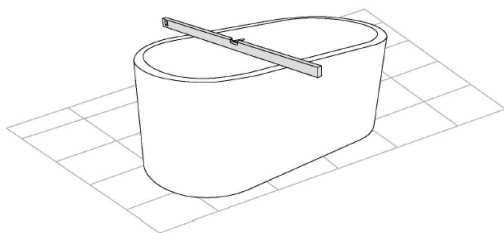
PORTER

PIPERS MOON BATH

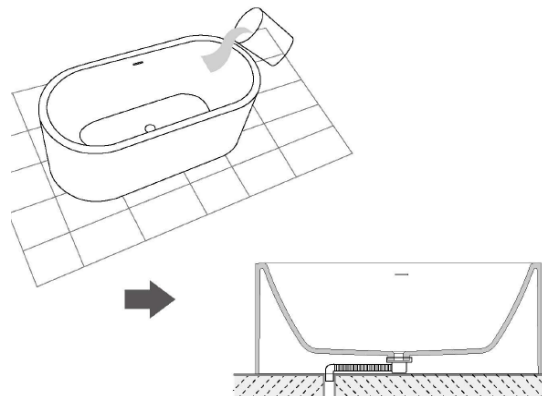
BP240

ASSEMBLY INSTRUCTIONS

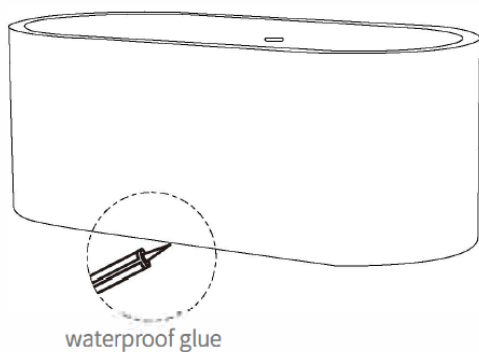
5. Put the bathtub in stable and the bottom should be evenly connected to floor, adjust the bathtub level.



6. Fill the tub with water to the overflow and then drain the tub while inspecting the waste connections below the floor for leaks.



7. If necessary, you can put a circle of waterproof glue or epoxy glue around the bottom of the bathtub to prevent water on the floor from flowing into the bottom of the bathtub.



PORTER

PIPERS MOON BATH

BP240

BATHTUB DAILY MAINTENANCE AND CLEAN GUIDANCE

- i. How to remove the dirt and residue on surface.
Solution 1. Use soapy water to clean.
Solution 2. Use a scouring pad soaked with mixed water and detergent to wipe and clean.
- ii. How to remove the watermark on surface.
Solution. First use soft and dry cloth to wipe, then ventilate and keep dry on surface.
- iii. How to remove the water stains on surface.
Solution. Wipe the surface with diluted household bleach (50 water: 1 bleach) and then clean it up with clean water.
- iv. How to repair surface scratches.

Judge the severity of the scratch first, if it is a minor scratch on matte products, please use matched sponge sandpaper to polish it first; If not works, please polish the scratch step by step from 240 grits sandpaper to 400 grits sandpaper, then 600 grits sandpaper. That is from low grits to high grits to polish, until the scratches disappear. Note: Wet the surface before polishing to avoid dust splash.

Kindly noted:

If the bathtub is dark color with matt finish, after above steps, please smear the surface with oily products on the surface (such as car wax, sewing machine oil, petroleum jelly, hand cream), and then wipe clean with a soft cloth. If the bathtub is glossy finish, you'd better ask professional workers to do repairing or contact with the sales.

PRECAUTIONS FOR BATHTUB

- i. Please clean the bathtub frequently and keep it dry when not using, to prevent the retained moisture from causing mineral deposits.
- ii. Do not leave commonly used cleaning materials (steel sponges or other products) in the bathtub for a long time. Water with high iron content will cause rust stains or staining marks on the bathtub surface.
- iii. Do not come into direct contact with strong chemicals, and stay away from silvercontaining detergents or other cleaning products containing sulfur or hydrochloric acid.
- iv. Do not use sharp objects (such as steel wire balls) to clean the bathtub to avoid spots and scratches on the surface.
- v. In order to better extend the service life of the bathtub, please do not pour boiling water directly into the bathtub. It is recommended to pour hot and cold water at the same time.

PORTER

PIPERS MOON BATH

BP240

DELIVERY

For delivery of your porter products, access for a small truck may be required. If this is not possible, please inform your porter representative prior to delivery. Once your product has been delivered to your door by our chosen transport partner, it must be carried into your home and fitted by your chosen builder, plumber, contractor etc. It is not the delivery driver's responsibility to carry the product inside the home, but at his/her discrepancy they may assist if the unit is being placed in a garage or similar for storage etc.

When your product is being delivered, please take the time to check over all items by removing the outer packaging or by opening the delivery box by lifting the lid off followed by the sides and finally the rest of the packaging. Any signs of damage during transport should be reported immediately.

HANDLING

For safe handling and manoeuvring of all large products, marble/stone tops, we recommend that 2 people are used to move and lift at all times. Carry and store the marble/stone top and backsplash on its edge at all times. Full pre-plumbing dimensions and instructions are available to download from our website for your chosen unit at: www.porterbathroom.com

- i. When manoeuvring porter's vanities or baths, the marble/stone top will not be permanently fixed to the unit or bath at this point and should be lifted carefully off by 2 persons and placed carefully aside from the unit.
- ii. The main base can then be carried into the bathroom and fitted into position.
- iii. Before installing the marble onto the base, please ensure all pipework is in its correct position, drilling any necessary holes in the rear of the unit wall.
- iv. Fix the unit to the wall on both sides through the guide holes provided.
- v. When fitting the top, place it on its edge at the rear of the unit before lowering the front into position. If needed, to remove the top, lift the front of the marble/stone top up first until vertical and carry the top away, always keeping the top vertical.
- vi. When fitting the marble top on permanently, we recommend using a clear natural silicone to bond it to the base, using the same natural silicone to bond the backsplash to the wall.